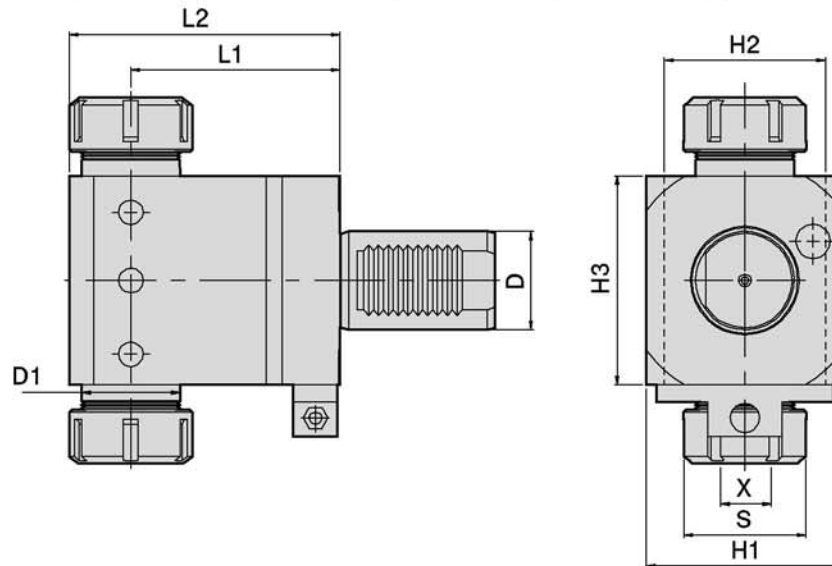


• External, internal coolant supply

### DIMENSIONS

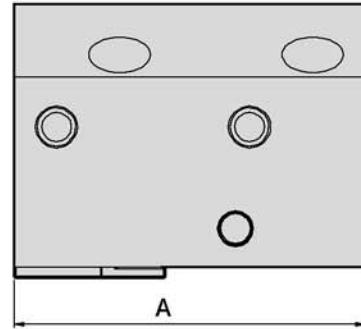
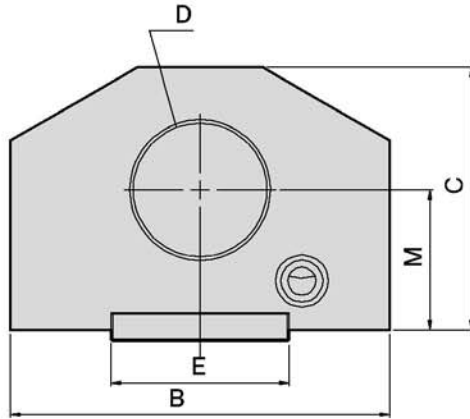
D DIN 69880	D1	H1	H2	H3	L1	L2	Order No.
30	32	65	52	62	65	90	T1-30-32-65
30	32	65	52	62	85	108	T1-30-32-85
30	32	65	52	62	100	123	T1-30-32-100
30	32	65	52	62	120	143	T1-30-32-120
40	32	80	65	85	85	112	T1-40-32-85
40	40	80	65	85	85	112	T1-40-40-85
40	40	80	65	85	100	127	T1-40-40-100



### DIMENSIONS

D DIN 69880	D1	X Capacity	S	H1	H2	H3	L1	L2	Order No.
30	32	ER25 1-16	42	65	52	62	65	90	T1-30-32-65-25x2
30	32	ER25 1-16	42	65	52	62	85	108	T1-30-32-85-25x2
30	32	ER25 1-16	42	65	52	62	100	123	T1-30-32-100-25x2
30	32	ER25 1-16	50	65	52	62	120	143	T1-30-32-120-25x2
40	32	ER25 1-16	50	80	65	85	85	112	T1-40-32-85-25x2
40	40	ER32 2-20	50	80	65	85	85	112	T1-40-40-85-32x2
40	40	ER32 2-20	50	80	65	85	100	127	T1-40-40-100-32x2

内孔刀座



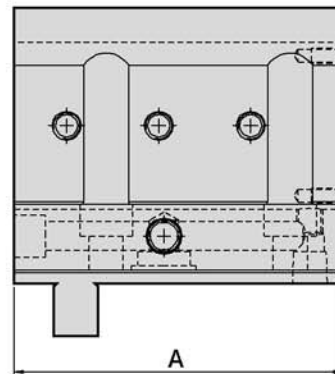
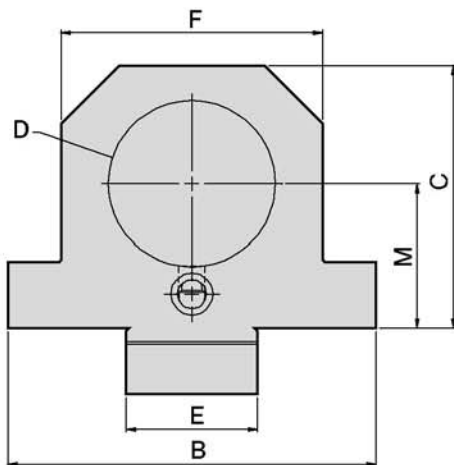
- External,internal coolant supply

**DIMENSIONS**

Models	D	A	B	C	E	M	Order No.
CLT-25T	38.1	100	108	75	50.8	40	LTC25-38.1-40

BORING BAR HOLDERS

内孔刀座



- External,internal coolant supply

**DIMENSIONS**

Models	D	A	B	C	E	F	M	Order No.
CLT-200I	63.5	125	140	100	50	100	50	LTC35-63.5-55
CLT-200I	63.5	125	140	132	50	120	80	LTC35-63.5-80
CLT-200I	76.2	125	140	132	50	120	80	LTC50-76.2-80