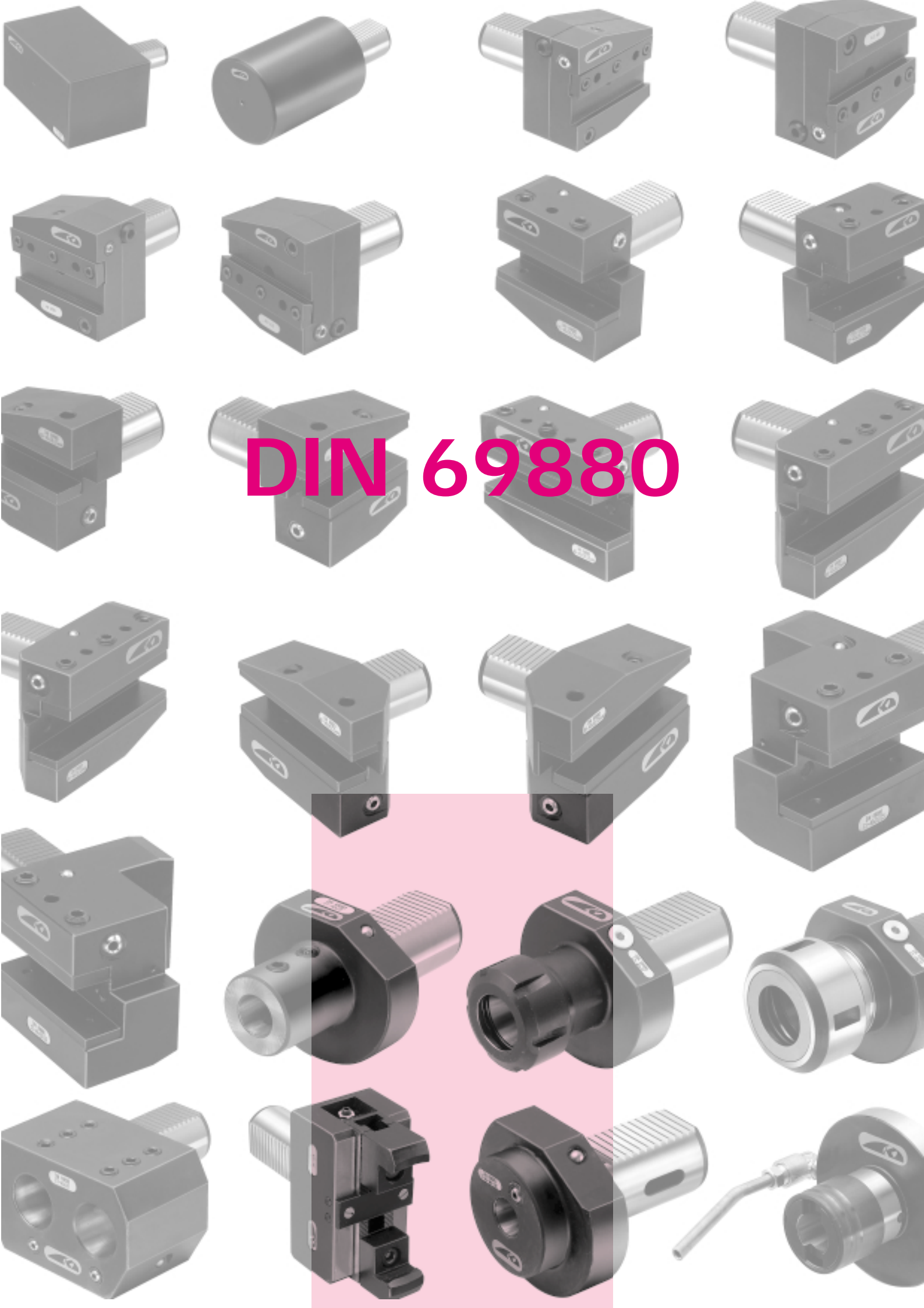
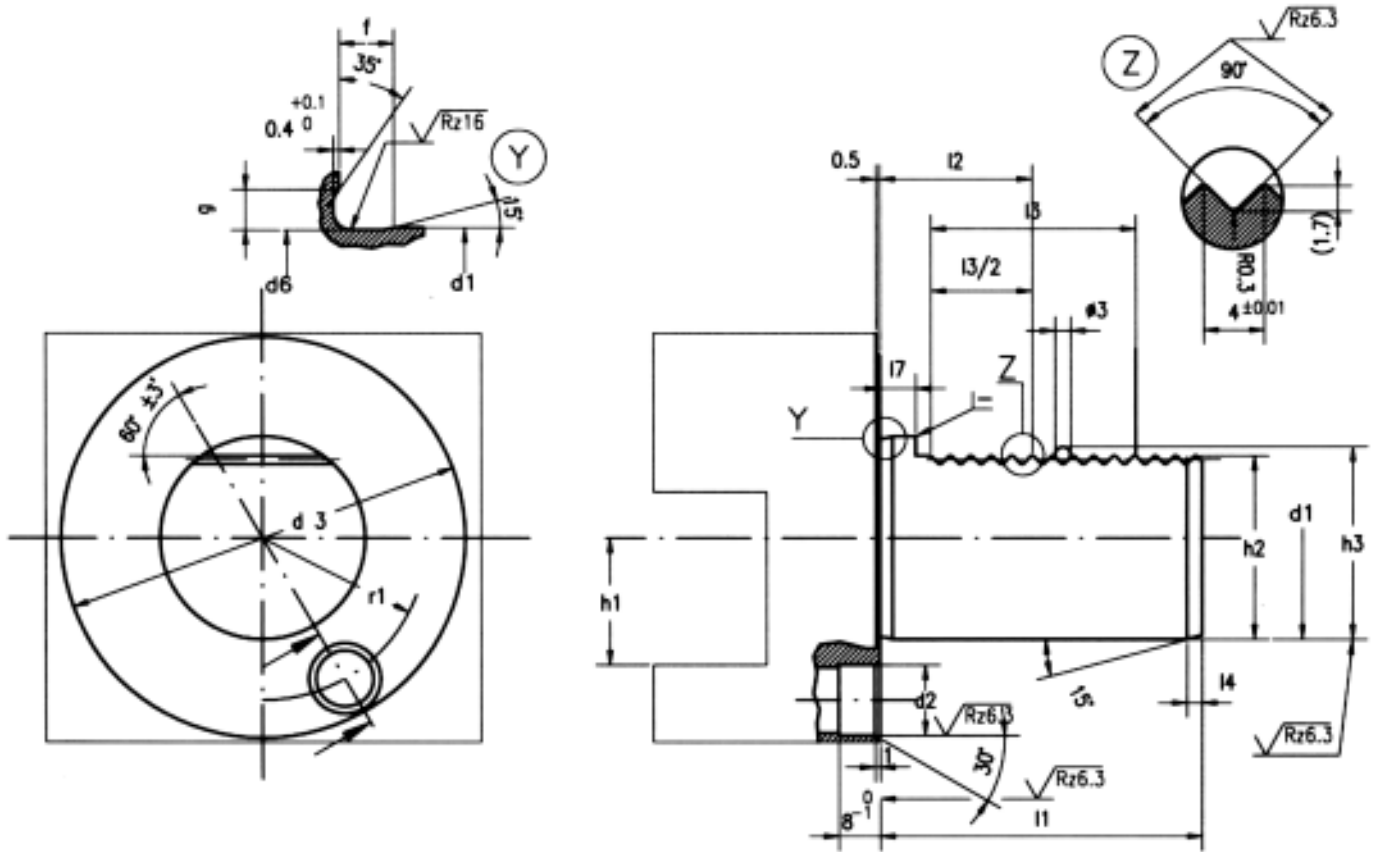


DIN 69880



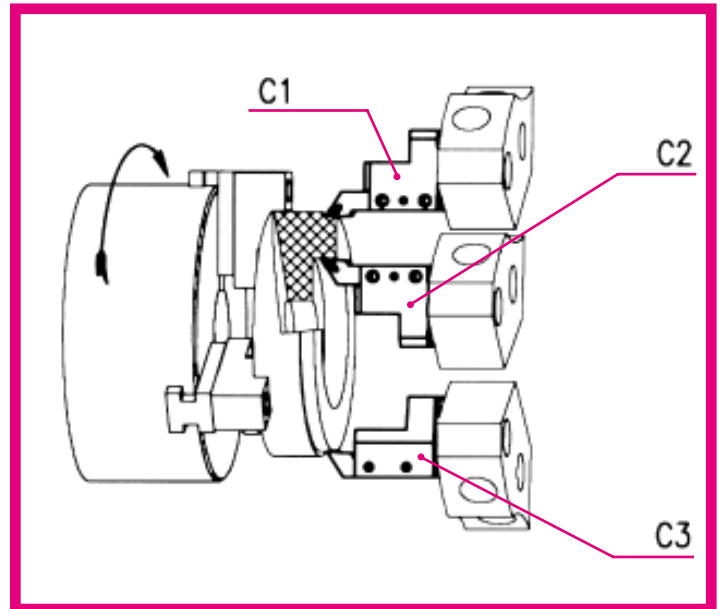
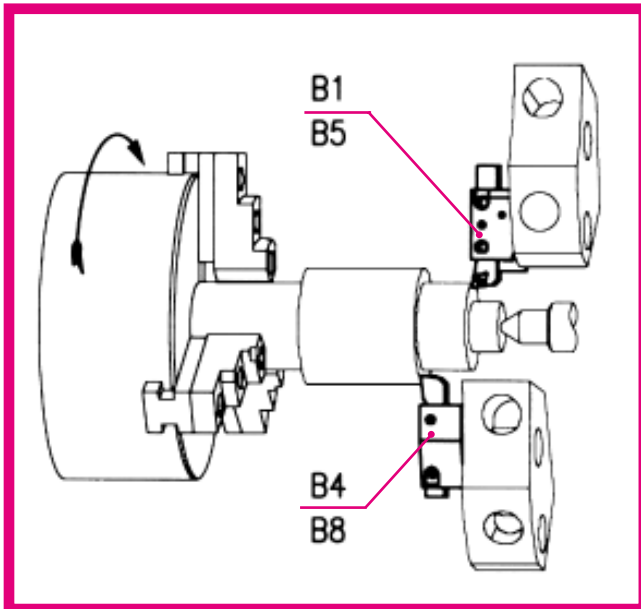
DIN 69880



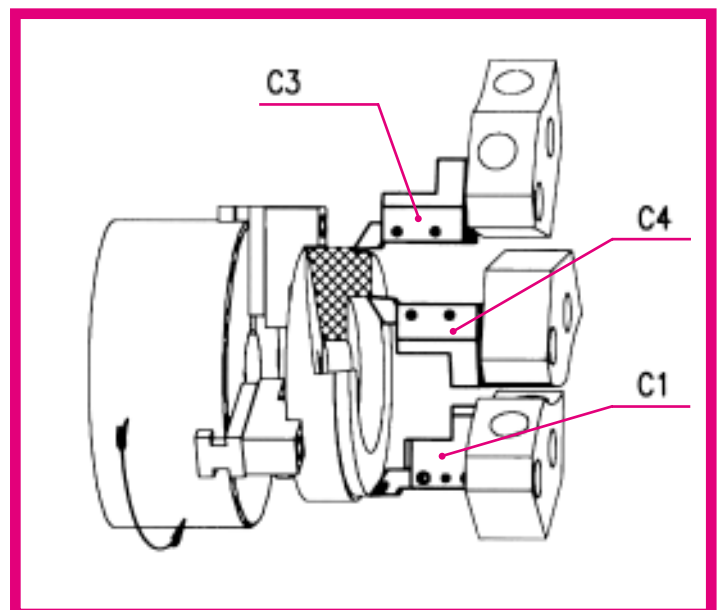
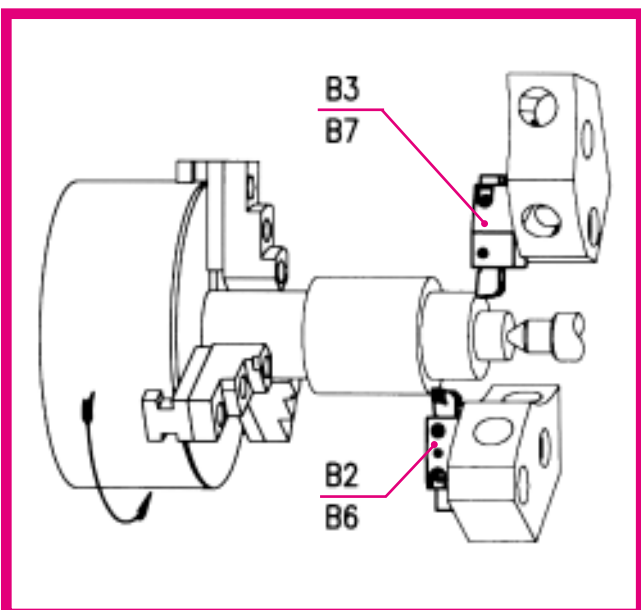
d1	l1	d2		d3	d6	f	g	h1 Metric	h1 Inches	h2	h3	l2	l3	l4	l7	r1
h6	±0.3	Toleranzklasse Tolerance range Classe de tolérance Classe tolleranza			0 -0.1			max.	max.	±0.1	±0.1	±0.05	min.	+1 0		±0.02
16	32	8	H6	40	15.4	2.0	1.7	12	0.5"	15	16.92	12.7	16	2	3.5	14.5
20	40	10		50	19.1	2.4	2	16	0.625"	18	19.92	21.7	24	2	7	18
25	48	10		58	24.1	2.4	2	16	0.625"	23.5	25.42	21.7	24	2	7	21
30	55	14		68	29.1	2.4	2	20	0.75"	27	28.92	29.7	40	2	7	25
40	63	14	H8	83	38.7	3.7	2.8	25	1"	36	37.92	29.7	40	3	7	32
50	78	16		98	48.7	3.7	2.8	32	1.25"	45	46.92	35.7	48	3	8	37
60	94	16		123	58.7	4.3	3.7	32	1.25"	55	56.92	43.7	56	4	10	48
80	124	20		158	78.7	4.3	3.7	40	1.5"	72	73.92	59.7	80	4	10	65

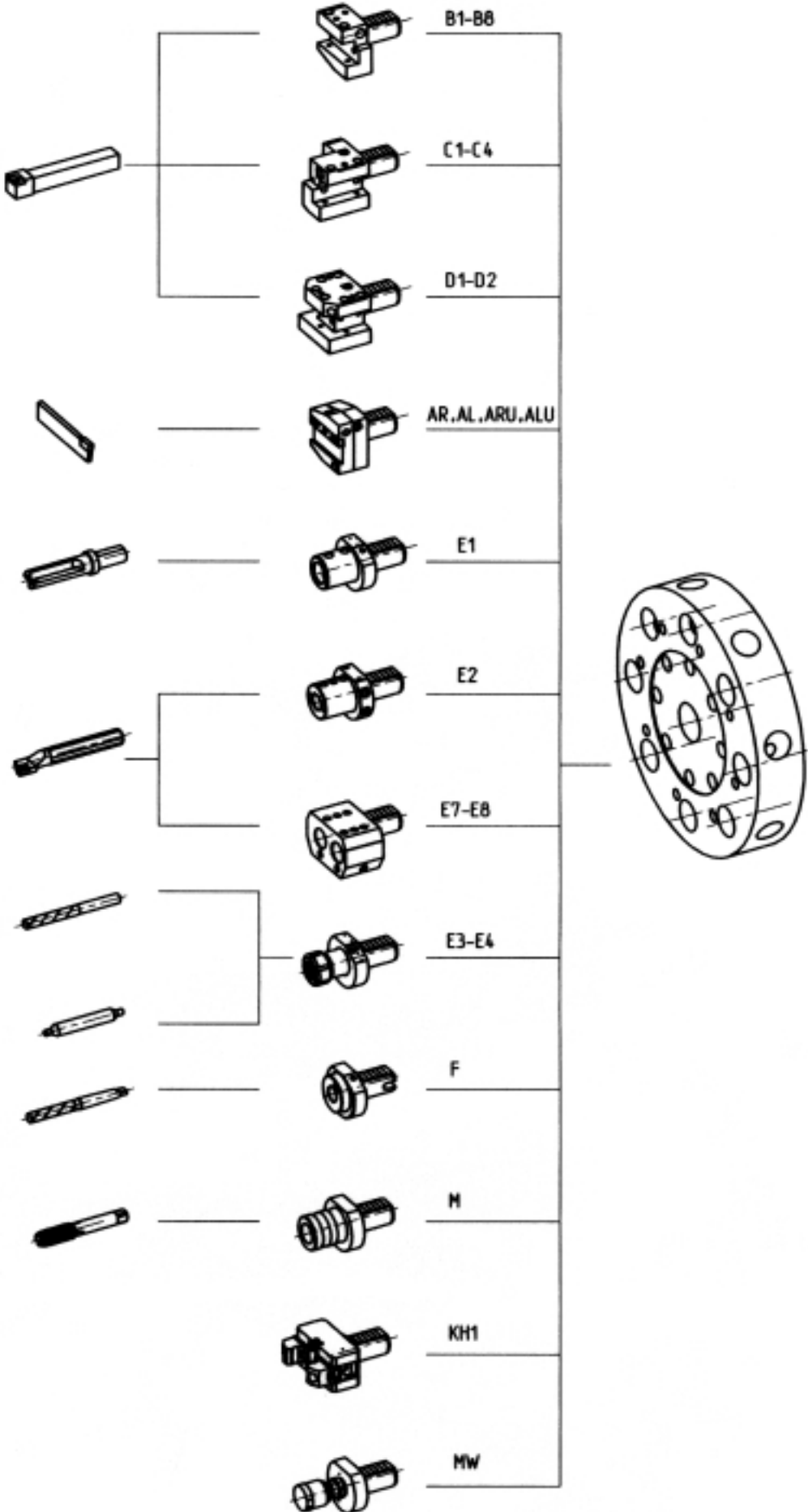
ANWENDUNG VON WERKZEUGHALTERN MIT RECHTSLAUF
 USE OF TOOLHOLDERS WITH CLOCKWISE SPINDLE ROTATION
 EMPLOI DE PORTE-OUTILS AVEC ROTATION HORAIRE DE LA BROCHE
 IMPIEGO DI PORTAUTENSILI CON ROTAZIONE ORARIA DEL MANDRINO

DIN 69880



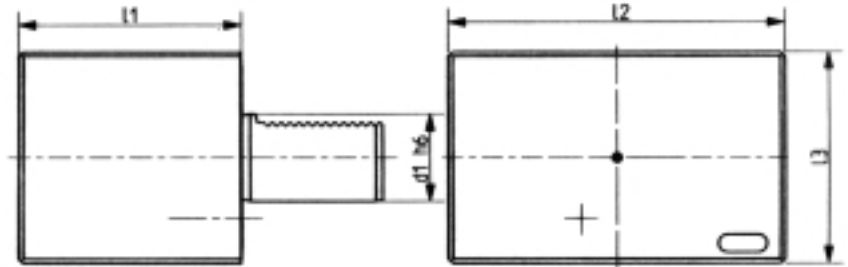
ANWENDUNG VON WERKZEUGHALTERN MIT LINKSLAUF
 USE OF TOOLHOLDERS WITH COUNTERCLOCKWISE SPINDLE ROTATION
 EMPLOI DE PORTE-OUTILS AVEC ROTATION ANTIHORAIRE DE LA BROCHE
 IMPIEGO PORTAUTENSILI CON ROTAZIONE ANTIORARIA DEL MANDRINO





VIERKANT-ROHLING FÜR SONDERAUSFÜHRUNGEN
RECTANGULAR BLANK FOR SPECIAL VERSIONS
EBAUCHE RECTANGULAIRE POUR VERSIONS SPECIALES
PORTAUTENSILE PER VERSIONI SPECIALI RETTANGOLARE

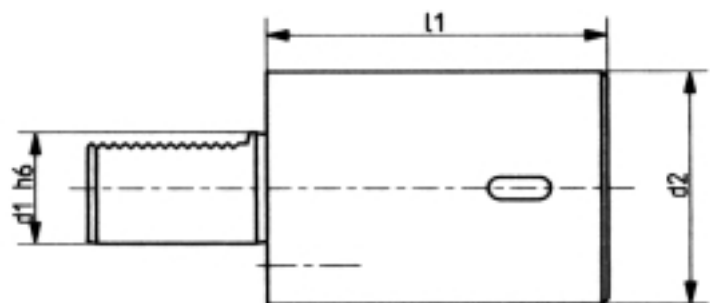
A1



Code N.	d1	l1	l2	l3
A1-16X44	16	44	78	44
A1-20X65	20	65	100	60
A1-25X75	25	75	100	60
A1-30X85	30	85	130	76
A1-40X100	40	100	151	96
A1-50X125	50	125	160	120
A1-60X160	60	160	165	125
A1-80X200	80	200	220	160

ZYLINDER-ROHLING FÜR SONDERAUSFÜHRUNGEN
ROUND BLANK FOR SPECIAL VERSIONS
EBAUCHE CYLINDRIQUE POUR VERSIONS SPECIALES
PORTAUTENSILE PER VERSIONI SPECIALI ROTONDO

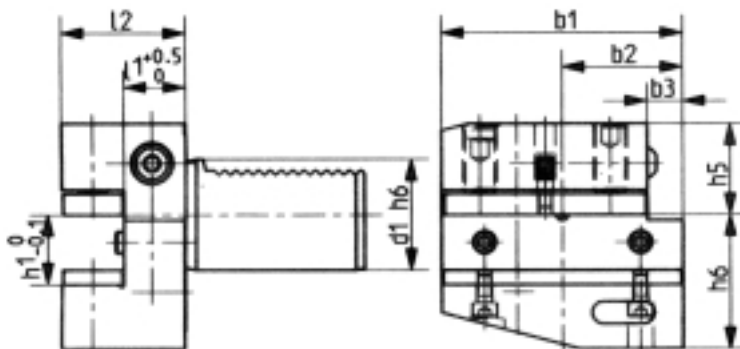
A2



Code N.	d1	d2	l1
A2-16x60	16	40	60
A2-20x70	20	50	70
A2-25x80	25	58	80
A2-25x200	25	58	200
A2-30x100	30	68	100
A2-30x240	30	68	240
A2-40x120	40	83	120
A2-40x320	40	83	320
A2-50x135	50	98	135
A2-50x400	50	98	400
A2-60x150	60	123	150
A2-60x480	60	123	480
A2-80x500	80	158	500

RADIAL WERKZEUGHALTER, RECHTS, KURZ
RADIAL HOLDER, RH, SHORT
PORTE-OUTIL RADIAL DROIT, COURT
PORTAUTENSILE CON SEDE TRASVERSALE RETTANGOLARE, DESTRO CORTO

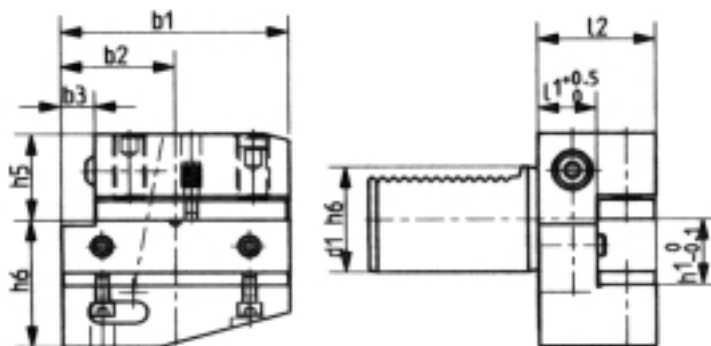
B1



Code N. (metric)	d1	b1	b2	b3	h1	h1	h5	h6	l1	l2	Code N. (inch)
B1-16x12x24	16	42	23	5	12	0.5"	20	22	13	24	B1-16x0.5"x24
B1-16x12x34	16	42	23	5	12	0.5"	20	22	23	34	B1-16x0.5"x34
B1-20x16x30	20	55	30	7	16/12	0.625"-0.5"	25	30	16	30	B1-20x0.625"x30
B1-20x16x40	20	55	30	7	16/12	0.625"-0.5"	25	30	26	40	B1-20x0.625"x40
B1-25x16x30	25	55	30	7	16/12	0.625"-0.5"	25	30	16	30	B1-25x0.625"x30
B1-25x16x40	25	55	30	7	16/12	0.625"-0.5"	25	30	26	40	B1-25x0.625"x40
B1-30x20x40	30	70	35	10	20/16	0.75"-0.625"	28	38	22	40	B1-30x0.75"x40
B1-30x20x60	30	70	35	10	20/16	0.75"-0.625"	28	38	42	60	B1-30x0.75"x60
B1-40x25x44	40	85	42.5	12.5	25/20	1"-0.75"	32.5	48	22	44	B1-40x1"x44
B1-50x32x55	50	100	50	16	32/25	1.25"-1"	35	60	30	55	B1-50x1.25"x55
B1-60x32x60	60	125	62.5	16	32/25	1.25"-1"	42.5	62.5	30	60	B1-60x1.25"x60
B1-80x40x75	80	160	80	20	40/32	1.5"-1.25"	55	80	40	75	B1-80x1.5"x75

RADIAL WERKZEUGHALTER, LINKS, KURZ
RADIAL HOLDER, LH, SHORT
PORTE-OUTIL RADIAL GAUCHE, COURT
PORTAUTENSILE CON SEDE TRASVERSALE RETTANGOLARE, SINISTRO CORTO

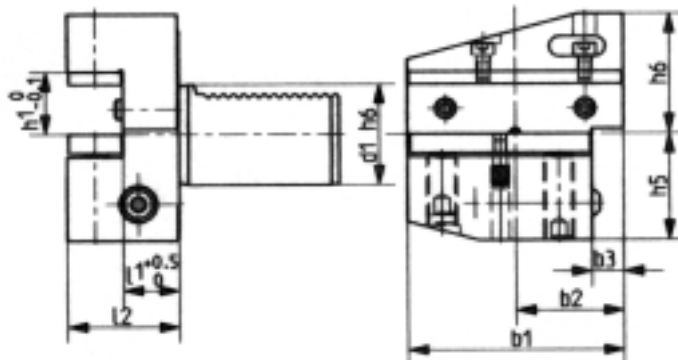
B2



Code N. (metric)	d1	b1	b2	b3	h1	h1	h5	h6	l1	l2	Code N. (inch)
B2-16x12x24	16	42	23	5	12	0.5"	20	22	13	24	B2-16x0.5"x24
B2-16x12x34	16	42	23	5	12	0.5"	20	22	23	34	B2-16x0.5"x34
B2-20x16x30	20	55	30	7	16/12	0.625"-0.5"	25	30	16	30	B2-20x0.625"x30
B2-20x16x40	20	55	30	7	16/12	0.625"-0.5"	25	30	26	40	B2-20x0.625"x40
B2-25x16x30	25	55	30	7	16/12	0.625"-0.5"	25	30	16	30	B2-25x0.625"x30
B2-25x16x40	25	55	30	7	16/12	0.625"-0.5"	25	30	26	40	B2-25x0.625"x40
B2-30x20x40	30	70	35	10	20/16	0.75"-0.625"	28	38	22	40	B2-30x0.75"x40
B2-30x20x60	30	70	35	10	20/16	0.75"-0.625"	28	38	42	60	B2-30x0.75"x60
B2-40x25x44	40	85	42.5	12.5	25/20	1"-0.75"	32.5	48	22	44	B2-40x1"x44
B2-50x32x55	50	100	50	16	32/25	1.25"-1"	35	60	30	55	B2-50x1.25"x55
B2-60x32x60	60	125	62.5	16	32/25	1.25"-1"	42.5	62.5	30	60	B2-60x1.25"x60
B2-80x40x75	80	160	80	20	40/32	1.5"-1.25"	55	80	40	75	B2-80x1.5"x75

RADIAL WERKZEUGHALTER, ÜBERKOPF RECHTS, KURZ
RADIAL HOLDER, UPSIDE-DOWN RH, SHORT
PORTE-OUTIL RADIAL, RENVERSE, DROIT, COURT
PORTAUTENSILE CON SEDE TRASVERSALE RETTANGOLARE, ROVESCIAIO DESTRO CORTO

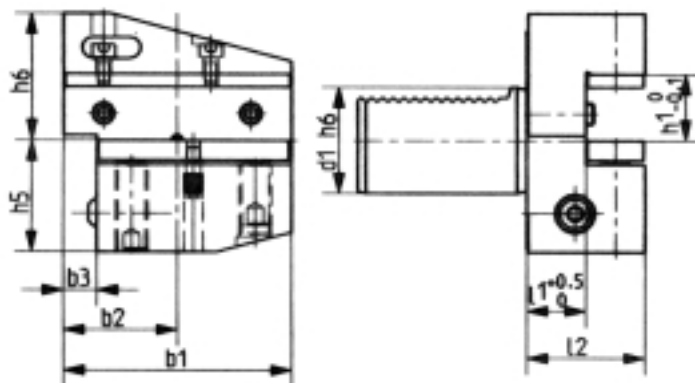
B3



Code N. (metric)	d1	b1	b2	b3	h1	h1	h5	h6	l1	l2	Code N. (inch)
B3-16x12x24	16	42	23	5	12	0.5"	20	22	13	24	B3-16x0.5"x24
B3-16x12x34	16	42	23	5	12	0.5"	20	22	23	34	B3-16x0.5"x34
B3-20x16x30	20	55	30	7	16/12	0.625" - 0.5"	25	30	16	30	B3-20x0.625"x30
B3-20x16x40	20	55	30	7	16/12	0.625" - 0.5"	25	30	26	40	B3-20x0.625"x40
B3-25x16x30	25	55	30	7	16/12	0.625" - 0.5"	25	30	16	30	B3-25x0.625"x30
B3-25x16x40	25	55	30	7	16/12	0.625" - 0.5"	25	30	26	40	B3-25x0.625"x40
B3-30x20x40	30	70	35	10	20/16	0.75" - 0.625"	35	38	22	40	B3-30x0.75"x40
B3-30x20x60	30	70	35	10	20/16	0.75" - 0.625"	35	38	42	60	B3-30x0.75"x60
B3-40x25x44	40	85	42.5	12.5	25/20	1" - 0.75"	42.5	48	22	44	B3-40x1"x44
B3-50x32x55	50	100	50	16	32/25	1.25" - 1"	50	60	30	55	B3-50x1.25"x55
B3-60x32x60	60	125	62.5	16	32/25	1.25" - 1"	62.5	62.5	30	60	B3-60x1.25"x60
B3-80x40x75	80	160	80	20	40/32	1.5" - 1.25"	80	80	40	75	B3-80x1.5"x75

RADIAL WERKZEUGHALTER, ÜBERKOPF LINKS, KURZ
RADIAL HOLDER, UPSIDE-DOWN LH, SHORT
PORTE-OUTIL RADIAL, RENVERSE, GAUCHE, COURT
PORTAUTENSILE CON SEDE TRASVERSALE RETTANGOLARE, ROVESCIAIO SINISTRO CORTO

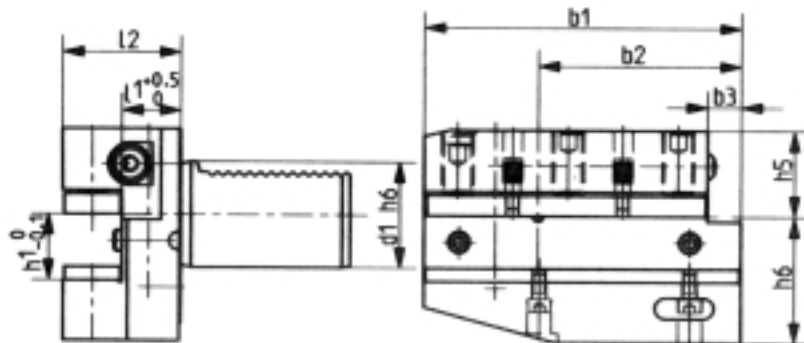
B4



Code N. (metric)	d1	b1	b2	b3	h1	h1	h5	h6	l1	l2	Code N. (inch)
B4-16x12x24	16	42	23	5	12	0.5"	20	22	13	24	B4-16x0.5"x24
B4-16x12x34	16	42	23	5	12	0.5"	20	22	23	34	B4-16x0.5"x34
B4-20x16x30	20	55	30	7	16/12	0.625" - 0.5"	25	30	16	30	B4-20x0.625"x30
B4-20x16x40	20	55	30	7	16/12	0.625" - 0.5"	25	30	26	40	B4-20x0.625"x40
B4-25x16x30	25	55	30	7	16/12	0.625" - 0.5"	25	30	16	30	B4-25x0.625"x30
B4-25x16x40	25	55	30	7	16/12	0.625" - 0.5"	25	30	26	40	B4-25x0.625"x40
B4-30x20x40	30	70	35	10	20/16	0.75" - 0.625"	35	38	22	40	B4-30x0.75"x40
B4-30x20x60	30	70	35	10	20/16	0.75" - 0.625"	35	38	42	60	B4-30x0.75"x60
B4-40x25x44	40	85	42.5	12.5	25/20	1" - 0.75"	42.5	48	22	44	B4-40x1"x44
B4-50x32x55	50	100	50	16	32/25	1.25" - 1"	50	60	30	55	B4-50x1.25"x55
B4-60x32x60	60	125	62.5	16	32/25	1.25" - 1"	62.5	62.5	30	60	B4-60x1.25"x60
B4-80x40x75	80	160	80	20	40/32	1.5" - 1.25"	80	80	40	75	B4-80x1.5"x75

RADIAL WERKZEUGHALTER, RECHTS, LANG
RADIAL HOLDER, RH, LONG
PORTE-OUTIL RADIAL, DROIT, LONG
PORTAUTENSILE CON SEDE TRASVERSALE RETTANGOLARE, DESTRO LUNGO

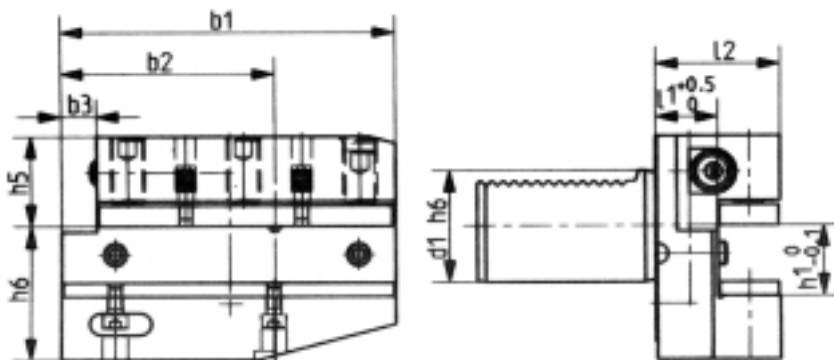
B5



Code N. (metric)	d1	b1	b2	b3	h1	h1	h5	h6	l1	l2	Code N. (inch)
B5-16x12x24	16	58	39	5	12	0.5"	20	22	13	24	B5-16x0.5"x24
B5-16x12x34	16	58	39	5	12	0.5"	20	22	23	34	B5-16x0.5"x34
B5-20x16x30	20	75	50	7	16/12	0.625" - 0.5"	25	30	16	30	B5-20x0.625"x30
B5-20x16x40	20	75	50	7	16/12	0.625" - 0.5"	25	30	26	40	B5-20x0.625"x40
B5-25x16x30	25	75	50	7	16/12	0.625" - 0.5"	25	30	16	30	B5-25x0.625"x30
B5-25x16x40	25	75	50	7	16/12	0.625" - 0.5"	25	30	26	40	B5-25x0.625"x40
B5-30x20x40	30	100	65	10	20/16	0.75" - 0.625"	28	38	22	40	B5-30x0.75"x40
B5-30x20x60	30	100	65	10	20/16	0.75" - 0.625"	28	38	42	60	B5-30x0.75"x60
B5-40x25x44	40	118	75.5	12.5	25/20	1" - 0.75"	32.5	48	22	44	B5-40x1"x44
B5-50x32x55	50	130	80	16	32/25	1.25" - 1"	35	60	30	55	B5-50x1.25"x55
B5-60x32x60	60	145	82.5	16	32/25	1.25" - 1"	42.5	62.5	30	60	B5-60x1.25"x60
B5-80x40x75	80	190	110	20	40/32	1.5" - 1.25"	55	80	40	75	B5-80x1.5"x75

RADIAL WERKZEUGHALTER, LINKS, LANG
RADIAL HOLDER, LH, LONG
PORTE-OUTIL RADIAL, GAUCHE, LONG
PORTAUTENSILE CON SEDE TRASVERSALE RETTANGOLARE, SINISTRO LUNGO

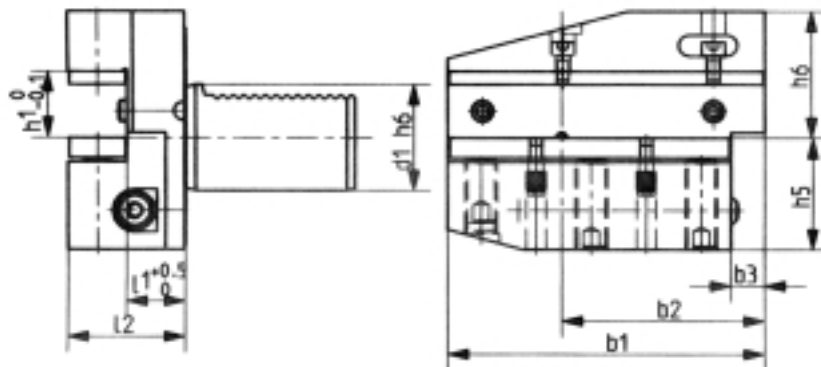
B6



Code N. (metric)	d1	b1	b2	b3	h1	h1	h5	h6	l1	l2	Code N. (inch)
B6-16x12x24	16	58	39	5	12	0.5"	20	22	13	24	B6-16x0.5"x24
B6-16x12x34	16	58	39	5	12	0.5"	20	22	23	34	B6-16x0.5"x34
B6-20x16x30	20	75	50	7	16/12	0.625" - 0.5"	25	30	16	30	B6-20x0.625"x30
B6-20x16x40	20	75	50	7	16/12	0.625" - 0.5"	25	30	26	40	B6-20x0.625"x40
B6-25x16x30	25	75	50	7	16/12	0.625" - 0.5"	25	30	16	30	B6-25x0.625"x30
B6-25x16x40	25	75	50	7	16/12	0.625" - 0.5"	25	30	26	40	B6-25x0.625"x40
B6-30x20x40	30	100	65	10	20/16	0.75" - 0.625"	28	38	22	40	B6-30x0.75"x40
B6-30x20x60	30	100	65	10	20/16	0.75" - 0.625"	28	38	42	60	B6-30x0.75"x60
B6-40x25x44	40	118	75.5	12.5	25/20	1" - 0.75"	32.5	48	22	44	B6-40x1"x44
B6-50x32x55	50	130	80	16	32/25	1.25" - 1"	35	60	30	55	B6-50x1.25"x55
B6-60x32x60	60	145	82.5	16	32/25	1.25" - 1"	42.5	62.5	30	60	B6-60x1.25"x60
B6-80x40x75	80	190	110	20	40/32	1.5" - 1.25"	55	80	40	75	B6-80x1.5"x75

RADIAL WERKZEUGHALTER, ÜBERKOPF RECHTS, LANG
RADIAL HOLDER, UPSIDE-DOWN, RH, LONG
PORTE-OUTIL RADIAL, RENVERSE, DROIT, LONG
PORTAUTENSILE CON SEDE TRASVERSALE RETTANGOLARE, ROVESCIATO DESTRO LUNGO

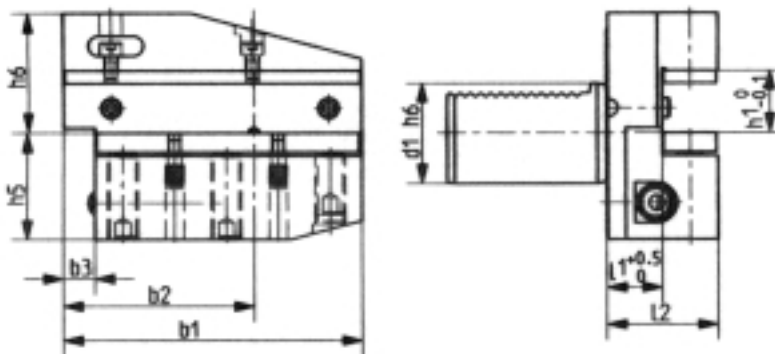
B7



Code N. (metric)	d1	b1	b2	b3	h1	h1	h5	h6	l1	l2	Code N. (inch)
B7-16x12x24	16	58	39	5	12	0.5"	20	22	13	24	B7-16x0.5"x24
B7-16x12x34	16	58	39	5	12	0.5"	20	22	23	34	B7-16x0.5"x34
B7-20x16x30	20	75	50	7	16/12	0.625" - 0.5"	25	30	16	30	B7-20x0.625"x30
B7-20x16x40	20	75	50	7	16/12	0.625" - 0.5"	25	30	26	40	B7-20x0.625"x40
B7-25x16x30	25	75	50	7	16/12	0.625" - 0.5"	25	30	16	30	B7-25x0.625"x30
B7-25x16x40	25	75	50	7	16/12	0.625" - 0.5"	25	30	26	40	B7-25x0.625"x40
B7-30x20x40	30	100	65	10	20/16	0.75" - 0.625"	35	38	22	40	B7-30x0.75"x40
B7-30x20x60	30	100	65	10	20/16	0.75" - 0.625"	35	38	42	60	B7-30x0.75"x60
B7-40x25x44	40	118	75.5	12.5	25/20	1" - 0.75"	42.5	48	22	44	B7-40x1"x44
B7-50x32x55	50	130	80	16	32/25	1.25" - 1"	50	60	30	55	B7-50x1.25"x55
B7-60x32x60	60	145	82.5	16	32/25	1.25" - 1"	62.5	62.5	30	60	B7-60x1.25"x60
B7-80x40x75	80	190	110	20	40/32	1.5" - 1.25"	80	80	40	75	B7-80x1.5"x75

RADIAL WERKZEUGHALTER, ÜBERKOPF LINKS, LANG
RADIAL HOLDER, UPSIDE-DOWN LH, LONG
PORTE-OUTIL RADIAL, RENVERSE, GAUCHE, LONG
PORTAUTENSILE CON SEDE TRASVERSALE RETTANGOLARE, ROVESCIATO SINISTRO LUNGO

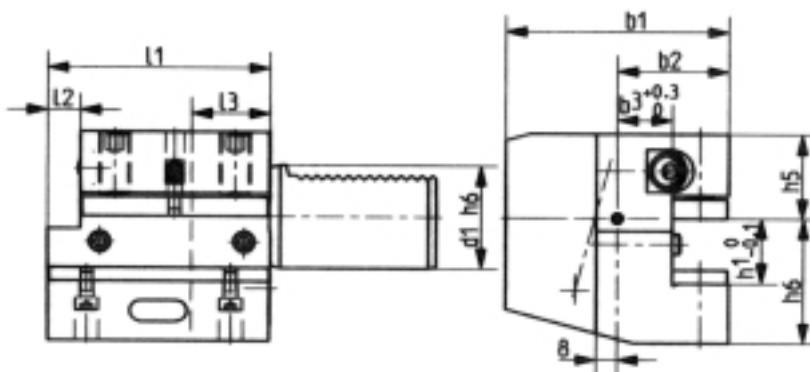
B8



Code N. (metric)	d1	b1	b2	b3	h1	h1	h5	h6	l1	l2	Code N. (inch)
B8-16x12x24	16	58	39	5	12	0.5"	20	22	13	24	B8-16x0.5"x24
B8-16x12x34	16	58	39	5	12	0.5"	20	22	23	34	B8-16x0.5"x34
B8-20x16x30	20	75	50	7	16/12	0.625" - 0.5"	25	30	16	30	B8-20x0.625"x30
B8-20x16x40	20	75	50	7	16/12	0.625" - 0.5"	25	30	26	40	B8-20x0.625"x40
B8-25x16x30	25	75	50	7	16/12	0.625" - 0.5"	25	30	16	30	B8-25x0.625"x30
B8-25x16x40	25	75	50	7	16/12	0.625" - 0.5"	25	30	26	40	B8-25x0.625"x40
B8-30x20x40	30	100	65	10	20/16	0.75" - 0.625"	35	38	22	40	B8-30x0.75"x40
B8-30x20x60	30	100	65	10	20/16	0.75" - 0.625"	35	38	42	60	B8-30x0.75"x60
B8-40x25x44	40	118	75.5	12.5	25/20	1" - 0.75"	42.5	48	22	44	B8-40x1"x44
B8-50x32x55	50	130	80	16	32/25	1.25" - 1"	50	60	30	55	B8-50x1.25"x55
B8-60x32x60	60	145	82.5	16	32/25	1.25" - 1"	62.5	62.5	30	60	B8-60x1.25"x60
B8-80x40x75	80	190	110	20	40/32	1.5" - 1.25"	80	80	40	75	B8-80x1.5"x75

AXIAL WERKZEUGHALTER, RECHTS
AXIAL HOLDER, RH
PORTE-OUTIL AXIAL, DROIT
PORTAUTENSILE CON SEDE LONGITUDINALE RETTANGOLARE, DESTRO

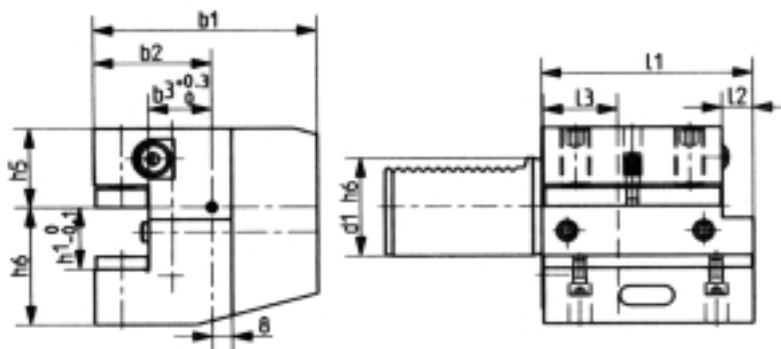
C1



Code N. (metric)	d1	b1	b2	b3	h1	h1	h5	h6	l1	l2	l3	Code N. (inch)
C1-16x12x44	16	43	24	13	12	0.5"	20	22	44	5	20	C1-16x0.5"x44
C1-20x16x50	20	65	40	26	16/12	0.625"-0.5"	25	30	50	-	30	C1-20x0.625"x50
C1-20x16x55	20	52	27	13	16/12	0.625"-0.5"	25	30	55	7	30	C1-20x0.625"x55
C1-25x16x55	25	58	33	19	16/12	0.625"-0.5"	25	30	55	7	20	C1-25x0.625"x55
C1-30x20x70	30	70	35	17	20/16	0.75"-0.625"	28	38	70	10	30	C1-30x0.75"x70
C1-40x25x85	40	85	42.5	21	25/20	1"-0.75"	32.5	48	85	12.5	30	C1-40x1"x85
C1-50x32x100	50	100	50	26	32/25	1.25"-1"	35	60	100	16	40	C1-50x1.25"x100
C1-60x32x125	60	125	62.5	33	32/25	1.25"-1"	42.5	62.5	125	16	40	C1-60x1.25"x125
C1-80x40x160	80	160	80	42	40/32	1.5"-1.25"	55	80	160	20	40	C1-80x1.5"x160

AXIAL WERKZEUGHALTER, LINKS
AXIAL HOLDER, LH
PORTE-OUTIL AXIAL, GAUCHE
PORTAUTENSILE CON SEDE LONGITUDINALE RETTANGOLARE, SINISTRO

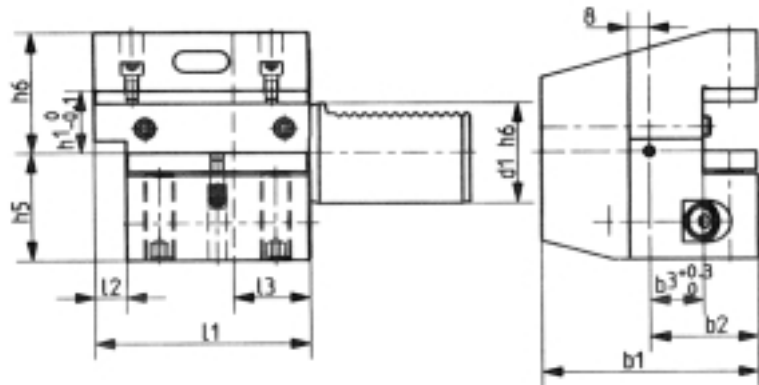
C2



Code N. (metric)	d1	b1	b2	b3	h1	h1	h5	h6	l1	l2	l3	Code N. (inch)
C2-16x12x44	16	43	24	13	12	0.5"	20	22	44	5	20	C2-16x0.5"x44
C2-20x16x50	20	65	40	26	16/12	0.625"-0.5"	25	30	50	-	30	C2-20x0.625"x50
C2-25x16x55	25	58	33	19	16/12	0.625"-0.5"	25	30	55	7	20	C2-25x0.625"x55
C2-30x20x70	30	76	41	23	20/16	0.75"-0.625"	28	38	70	10	30	C2-30x0.75"x70
C2-40x25x85	40	90	47.5	25.5	25/20	1"-0.75"	32.5	48	85	12.5	30	C2-40x1"x85
C2-50x32x100	50	105	55	30.5	32/25	1.25"-1"	35	60	100	16	40	C2-50x1.25"x100
C2-60x32x125	60	125	62.5	33	32/25	1.25"-1"	42.5	62.5	125	16	40	C2-60x1.25"x125
C2-80x40x160	80	160	80	42	40/32	1.5"-1.25"	55	80	160	20	40	C2-80x1.5"x160

AXIAL WERKZEUGHALTER, ÜBERKOPF, RECHTS
AXIAL HOLDER, UPSIDE-DOWN, RH
PORTE-OUTIL AXIAL, REVERSE, DROIT
PORTAUTENSILE CON SEDE LONGITUDINALE RETTANGOLARE, ROVESCiato, DESTRO

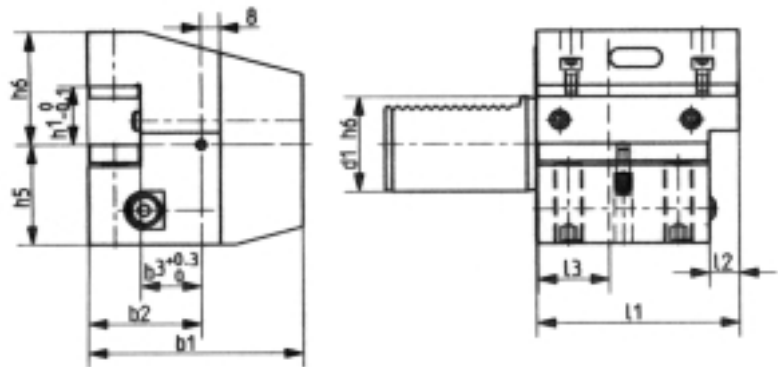
C3



Code N. (metric)	d1	b1	b2	b3	h1	h1	h5	h6	l1	l2	l3	Code N. (inch)
C3-16x12x44	16	43	24	13	12	0.5"	20	22	44	5	20	C3-16x0.5"x44
C3-20x16x50	20	65	40	26	16/12	0.625"-0.5"	25	30	50	-	30	C3-20x0.625"x50
C3-20x16x55	20	52	27	13	16/12	0.625"-0.5"	25	30	55	7	30	C3-20x0.625"x55
C3-25x16x55	25	58	33	19	16/12	0.625"-0.5"	25	30	55	7	20	C3-25x0.625"x55
C3-30x20x70	30	70	35	17	20/16	0.75"-0.625"	35	38	70	10	30	C3-30x0.75"x70
C3-40x25x85	40	85	42.5	21	25/20	1"-0.75"	42.5	48	85	12.5	30	C3-40x1"x85
C3-50x32x100	50	100	50	26	32/25	1.25"-1"	50	60	100	16	40	C3-50x1.25"x100
C3-60x32x125	60	125	62.5	33	32/25	1.25"-1"	62.5	62.5	125	16	40	C3-60x1.25"x125
C3-80x40x160	80	160	80	42	40/32	1.5"-1.25"	80	80	160	20	40	C3-80x1.5"x160

AXIAL WERKZEUGHALTER, ÜBERKOPF, LINKS
AXIAL HOLDER, UPSIDE-DOWN LH
PORTE-OUTIL AXIAL, REVERSE, GAUCHE
PORTAUTENSILE CON SEDE LONGITUDINALE RETTANGOLARE, ROVESCiato, SINISTRO

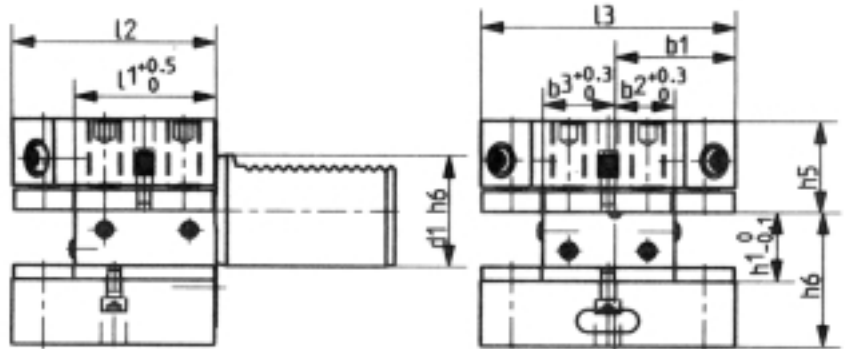
C4



Code N. (metric)	d1	b1	b2	b3	h1	h1	h5	h6	l1	l2	l3	Code N. (inch)
C4-16x12x44	16	43	24	13	12	0.5"	20	22	44	5	20	C4-16x0.5"x44
C4-20x16x50	20	65	40	26	16/12	0.625"-0.5"	25	30	50	-	30	C4-20x0.625"x50
C4-25x16x55	25	58	33	19	16/12	0.625"-0.5"	25	30	55	7	20	C4-25x0.625"x55
C4-30x20x70	30	76	41	23	20/16	0.75"-0.625"	35	38	70	10	30	C4-30x0.75"x70
C4-40x25x85	40	90	47.5	25.5	25/20	1"-0.75"	42.5	48	85	12.5	30	C4-40x1"x85
C4-50x32x100	50	105	55	30.5	32/25	1.25"-1"	50	60	100	16	40	C4-50x1.25"x100
C4-60x32x125	60	125	62.5	33	32/25	1.25"-1"	62.5	62.5	125	16	40	C4-60x1.25"x125
C4-80x40x160	80	160	78	42	40/32	1.5"-1.25"	80	80	160	20	40	C4-80x1.5"x160

**WERKZEUGHALTER MIT MEHRFACHAUFNAHME
 TOOLHOLDER WITH MULTIPLE SEATS
 PORTE-OUTIL A SIEGES MULTIPLES
 PORTAUTENSILE A PIU' SEDI RETTANGOLARI**

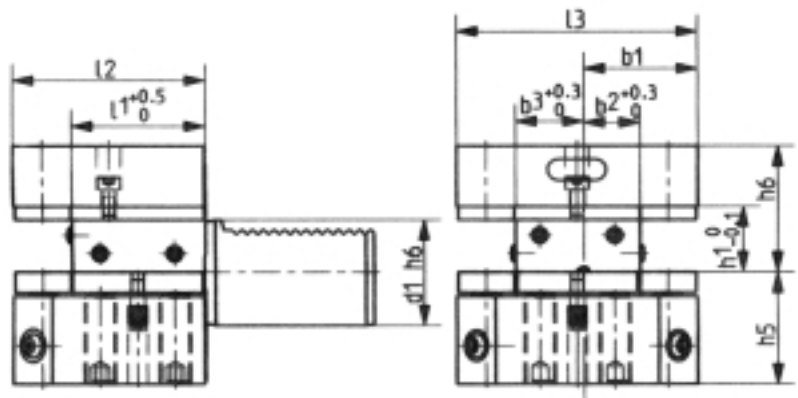
D1



Code N. (metric)	d1	b1	b2	b3	h1	h1	h5	h6	l1	l2	l3	Code N. (inch)
D1-25x16x55	25	33	19	19	16/12	0.625" - 0.5"	25	30	34	48	66	D1-25x0.625"x55
D1-30x20x70	30	35	17	23	20/16	0.75" - 0.625"	28	38	42	60	76	D1-30x0.75"x70
D1-40x25x85	40	42.5	21	25.5	25/20	1" - 0.75"	32.5	48	50	72	90	D1-40x1"x85
D1-50x32x100	50	50	26	30.5	32/25	1.25" - 1"	35	60	60	85	105	D1-50x1.25"x100
D1-60x32x125	60	57.5	33	33	32/25	1.25" - 1"	42.5	62.5	85	110	115	D1-60x1.25"x125
D1-80x40x160	80	76	42	42	40/32	1.5" - 1.25"	55	80	105	140	152	D1-80x1.5"x160

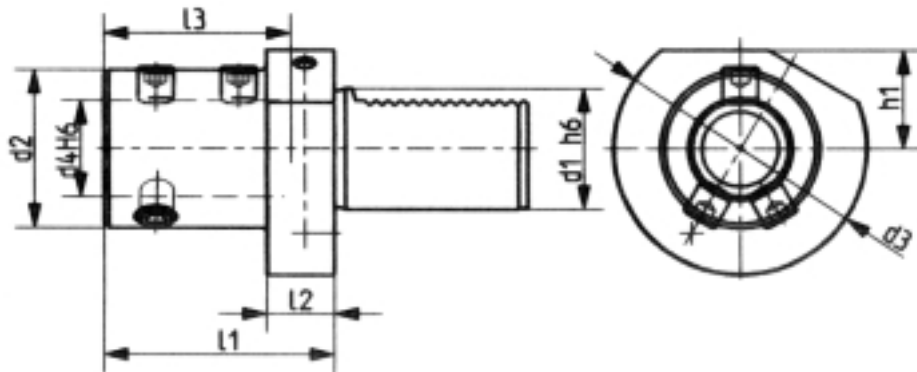
**WEKZEUGHALTER MIT MEHRFACHAUFNAHME, ÜBERKOPF
 TOOLHOLDER WITH MULTIPLE SEATS UPSIDE DOWN
 PORTE-OUTIL A SIEGES MULTIPLES, RENVERSE
 PORTAUTENSILE A PIU' SEDI RETTANGOLARI, ROVESCIATO**

D2



Code N. (metric)	d1	b1	b2	b3	h1	h1	h5	h6	l1	l2	l3	Code N. (inch)
D2-25x16x55	25	33	19	19	16/12	0.625" - 0.5"	25	30	34	48	66	D2-25x0.625"x55
D2-30x20x70	30	35	17	23	20/16	0.75" - 0.625"	35	38	42	60	76	D2-30x0.75"x70
D2-40x25x85	40	42.5	21	25.5	25/20	1" - 0.75"	42.5	48	50	72	90	D2-40x1"x85
D2-50x32x100	50	50	26	30.5	32/25	1.25" - 1"	50	60	60	85	105	D2-50x1.25"x100
D2-60x32x125	60	57.5	33	33	32/25	1.25" - 1"	62.5	62.5	85	110	115	D2-60x1.25"x125
D2-80x40x160	80	76	42	42	40/32	1.5" - 1.25"	80	80	105	140	152	D2-80x1.5"x160

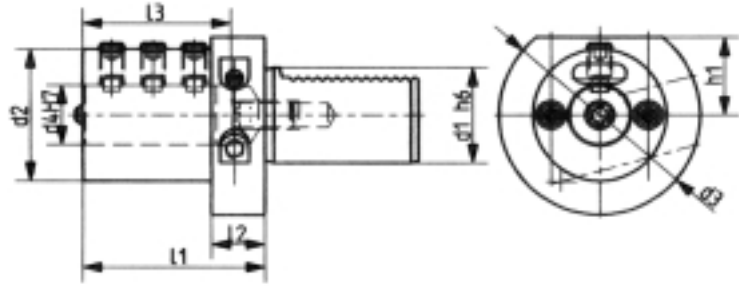
WERKZEUGHALTER FÜR WENDELPLATTENBOHRER MIT INNERER KÜHLMITTELZUFUHR **E1**
HOLDER FOR INDEXABLE INSERT DRILLS WITH INTERNAL COOLANT SUPPLY
PORTE-OUTIL POUR FORETS A PLAQUETTES AVEC ALIMENTATION INTERNE DU LIQUIDE D'ARROSAGE
PORTAUTENSILE PER PUNTE AD INSERTI CON PASSAGGIO REFRIGERANTE INTERNO



Code N. (metric)	d1	d2	d3	d4	d4	h1	l1	l2	l3	Code N. inch.
E1-20x16	20	36	50	16	-	-	67	18	54	-
E1-20x20	20	40	50	20	-	-	67	18	54	-
E1-20x25	20	45	50	25	1"	-	71	18	59	E1-20x1"
E1-25x16	25	36	58	16	-	25	67	18	54	-
E1-25x20	25	40	58	20	-	25	67	18	54	-
E1-25x25	25	45	58	25	1"	25	71	18	59	E1-25x1"
E1-25x32	25	52	58	32	-	25	75	18	63	-
E1-30x16	30	36	68	16	-	28	67	22	54	-
E1-30x20	30	40	68	20	-	28	67	22	54	-
E1-30x25	30	45	68	25	1"	28	71	22	59	E1-30x1"
E1-30x32	30	52	68	32	1.250"	28	75	22	63	E1-30x1.250"
E1-40x16	40	36	83	16	-	32.5	67	22	54	-
E1-40x20	40	40	83	20	-	32.5	67	22	54	-
E1-40x25	40	45	83	25	1"	32.5	75	22	59	E1-40x1"
E1-40x32	40	52	83	32	1.250"	32.5	75	22	63	E1-40x1.250"
E1-40x40	40	65	83	40	1.5"	32.5	90	22	73	E1-40x1.5"
E1-50x16	50	36	98	16	-	35	80	30	54	-
E1-50x20	50	40	98	20	-	35	80	30	54	-
E1-50x25	50	45	98	25	1"	35	80	30	59	E1-50x1"
E1-50x32	50	52	98	32	1.250"	35	80	30	63	E1-50x1"
E1-50x40	50	65	98	40	1.5"	35	90	30	73	E1-50x1.5"
E1-50x50	50	75	98	50	2"	35	100	30	83	E1-50x2"
E1-60x16	60	36	123	16	-	42.5	80	30	54	-
E1-60x20	60	40	123	20	-	42.5	80	30	54	-
E1-60x25	60	45	123	25	1"	42.5	80	30	59	E1-60x1"
E1-60x32	60	52	123	32	1.250"	42.5	80	30	63	E1-60x1.250"
E1-60x40	60	65	123	40	1.5"	42.5	90	30	73	E1-60x1.5"
E1-60x50	60	75	123	50	2"	42.5	100	30	83	E1-60x2"
E1-80x20	80	40	158	20	-	55	80	40	54	-
E1-80x25	80	45	158	25	1"	55	80	40	59	E1-80x1"
E1-80x32	80	52	158	32	1.250"	55	80	40	63	E1-80x1.250"
E1-80x40	80	65	158	40	1.500"	55	90	40	73	E1-80x1.500"
E1-80x50	80	75	158	50	2"	55	100	40	83	E1-80x2"

**BOHRSTANGENHALTER
BORING BAR HOLDER
PORTE-OUTIL POUR BARRES D'ALEPAGE
PORTAUTENSILE PER BARENI**

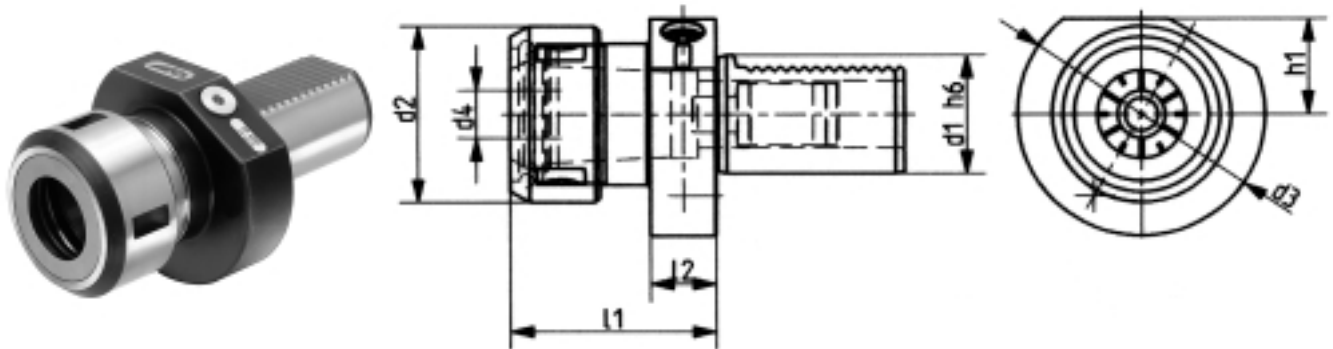
E2



Code N. (metric)	d1	d2	d3	d4	d4	h1	l1	l2	l3	Code N. (inch)
E2-16x8	16	32	40	8	0.3125"	18	44	13	34	E2-16x0.3125"
E2-16x10	16	32	40	10	0.375"	18	44	13	34	E2-16x0.375"
E2-16x12	16	40	40	12	0.5"	18	44	13	34	E2-16x0.5"
E2-16x16	16	40	40	16	0.625"	18	44	13	34	E2-16x0.625"
E2-20x8	20	40	50	8	0.3125"	23	50	18	42	E2-20x0.3125"
E2-20x10	20	40	50	10	0.375"	23	50	18	42	E2-20x0.375"
E2-20x12	20	40	50	12	0.5"	23	50	18	42	E2-20x0.5"
E2-20x16	20	40	50	16	0.625"	23	50	18	42	E2-20x0.625"
E2-20x20	20	49	50	20	0.75"	23	50	18	42	E2-20x0.75"
E2-20x25	20	49	50	25	1"	23	60	18	52	E2-20x1"
E2-25x8	25	40	58	8	0.3125"	25	50	18	41	E2-25x0.3125"
E2-25x10	25	40	58	10	0.375"	25	50	18	41	E2-25x0.375"
E2-25x12	25	40	58	12	0.5"	25	50	18	41	E2-25x0.5"
E2-25x16	25	40	58	16	0.625"	25	50	18	41	E2-25x0.625"
E2-25x20	25	58	58	20	0.75"	25	50	18	41	E2-25x0.75"
E2-25x25	25	58	58	25	1"	25	60	18	51	E2-25x1"
E2-30x8	30	55	68	8	0.3125"	28	60	22	43	E2-30x0.3125"
E2-30x10	30	55	68	10	0.375"	28	60	22	43	E2-30x0.375"
E2-30x12	30	55	68	12	0.5"	28	60	22	43	E2-30x0.5"
E2-30x16	30	55	68	16	0.625"	28	60	22	54	E2-30x0.625"
E2-30x20	30	55	68	20	0.75"	28	60	22	54	E2-30x0.75"
E2-30x25	30	55	68	25	1"	28	60	22	54	E2-30x1"
E2-30x30	30	67	68	30	-	28	75	22	61	-
E2-30x32	30	67	68	32	1.25"	28	75	22	61	E2-30x1.25"
E2-40x8	40	55	83	8	0.3125"	32.5	75	22	43	E2-40x0.3125"
E2-40x10	40	55	83	10	0.375"	32.5	75	22	43	E2-40x0.375"
E2-40x12	40	55	83	12	0.5"	32.5	75	22	58	E2-40x0.5"
E2-40x16	40	55	83	16	0.625"	32.5	75	22	61	E2-40x0.625"
E2-40x20	40	55	83	20	0.75"	32.5	75	22	61	E2-40x0.75"
E2-40x25	40	55	83	25	1"	32.5	75	22	61	E2-40x1"
E2-40x30	40	82	83	30	-	32.5	75	22	61	-
E2-40x32	40	82	83	32	1.25"	32.5	75	22	61	E2-40x1.25"
E2-40x40	40	82	83	40	1.5"	32.5	90	22	76	E2-40x1.5"
-	40	82	83	-	1.75"	32.5	90	22	76	E2-40x1.75"
E2-50x12	50	68	98	12	0.625"	35	90	30	71	E2-50x0.5"
E2-50x16	50	68	98	16	0.625"	35	90	30	76	E2-50x0.625"
E2-50x20	50	68	98	20	0.75"	35	90	30	76	E2-50x0.75"
E2-50x25	50	68	98	25	1"	35	90	30	76	E2-50x1"
E2-50x30	50	68	98	30	-	35	90	30	76	-
E2-50x32	50	68	98	32	1.25"	35	90	30	76	E2-50x1.25"
E2-50x40	50	98	98	40	1.5"	35	90	30	76	E2-50x1.5"
-	50	98	98	-	1.75"	35	100	30	86	E2-50x1.75"
E2-50x50	50	98	98	50	2"	35	100	30	86	E2-50x2"
E2-60x16	60	68	123	16	0.625"	42.5	90	30	76	E2-60x0.625"
E2-60x20	60	68	123	20	0.75"	42.5	90	30	76	E2-60x0.75"
E2-60x25	60	68	123	25	1"	42.5	90	30	76	E2-60x1"
E2-60x32	60	68	123	32	1.25"	42.5	90	30	76	E2-60x1.25"
E2-60x40	60	98	123	40	1.5"	42.5	90	30	76	E2-60x1.5"
-	60	98	123	-	1.75"	42.5	100	30	86	E2-60x1.75"
E2-60x50	60	98	123	50	2"	42.5	100	30	86	E2-60x2"
E2-80x20	80	68	158	20	0.75"	55	100	30	86	E2-80x0.75"
E2-80x25	80	68	158	25	1"	55	100	30	86	E2-80x1"
E2-80x32	80	68	158	32	1.25"	55	100	30	86	E2-80x1.25"
E2-80x40	80	98	158	40	1.5"	55	100	30	86	E2-80x1.5"
-	80	98	158	-	1.75"	55	100	30	86	E2-80x1.75"
E2-80x50	80	98	158	50	2"	55	100	30	92	E2-80x2"

SPANNZANGENHALTER (DIN 6388)
COLLET CHUCK (DIN 6388)
PORTE-OUTIL POUR SERRAGE PAR PINCE (DIN 6388)
PORTAPINZA (DIN 6388)

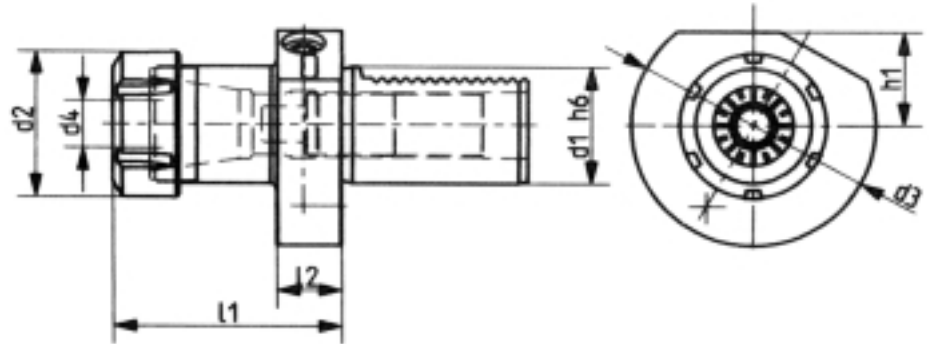
E3



Code N.	Description	d1	d2	d3	d4	h1	l1	l2
E3-16x16	VDI 16.L 57.EOC 16	16	43	40	2÷16	18	57	13
E3-20x16	VDI 20.L 57.EOC 16	20	43	50	2÷16	-	57	18
E3-20x20	VDI 20.L 62.EOC 20	20	52	50	2÷20	-	62	18
E3-25x16	VDI 25.L 57.EOC 16	25	43	58	2÷16	25	57	18
E3-25x20	VDI 25.L 62.EOC 20	25	52	58	2÷20	25	62	18
E3-30x16	VDI 30.L 57.EOC 16	30	43	68	2÷16	28	57	22
E3-30x20	VDI 30.L 57.EOC 20	30	52	68	2÷16	28	57	22
E3-30x25	VDI 30.L 75.EOC 25	30	60	68	2÷25	28	75	22
E3-30x32	VDI 30.L 90.EOC 32	30	72	68	2÷32	28	90	22
E3-40x16	VDI 40.L 57.EOC 16	40	43	83	2÷16	32.5	57	22
E3-40x25	VDI 40.L 75.EOC 25	40	60	83	2÷25	32.5	75	22
E3-40x32	VDI 40.L 90.EOC 32	40	72	83	4÷32	32.5	90	22
E3-50x25	VDI 50.L 75.EOC 25	50	60	98	2÷25	35	75	30
E3-50x32	VDI 50.L 90.EOC 32	50	72	98	4÷32	35	90	30
E3-60x25	VDI 60.L 75.EOC 25	60	60	123	2÷25	42.5	75	30
E3-60x32	VDI 60.L 90.EOC 32	60	72	123	4÷32	42.5	90	30
E3-80x25	VDI 80.L 85.EOC 25	80	60	158	2÷25	55	85	40
E3-80x32	VDI 80.L 95.EOC 32	80	72	158	4÷32	55	95	40

SPANNZANGENHALTER (DIN 6499/B)
ER COLLET CHUCKS (DIN 6499/B)
PORTE-OUTIL POUR SERRAGE PAR PINCE (DIN 6499/B)
PORTAPINZA (DIN 6499/B)

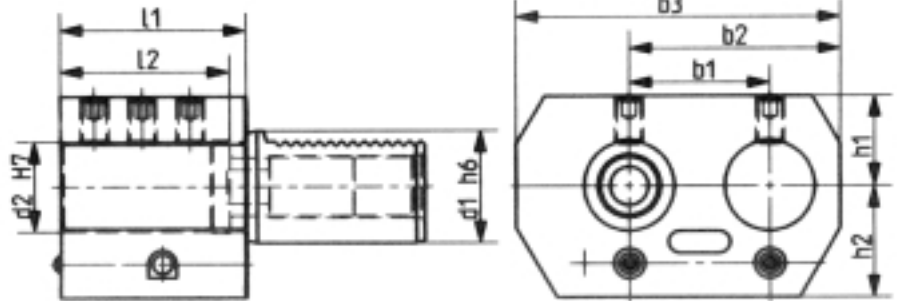
E4



Code N.	Description	d1	d2	d3	d4	h1	l1	l2
E4-16x16	VDI 16.L 44.ER 16	16	32	40	1÷10	18	44	13
E4-16x20	VDI 16.L 44.ER 20	16	35	40	1÷13	18	44	13
E4-20x16	VDI 20.L 44.ER 16	20	32	50	1÷10	-	44	18
E4-20x20	VDI 20.L 59.ER 20	20	35	50	1÷13	-	59	18
E4-20x25	VDI 20.L 65.ER 25	20	42	50	2÷16	-	65	18
E4-20x32	VDI 20.L 67.ER 32	20	50	50	2÷20	-	67	18
E4-25x16	VDI 25.L 44.ER 16	25	32	58	1÷10	25	44	18
E4-25x25	VDI 25.L 58.ER 25	25	42	58	2÷16	25	58	18
E4-25x32	VDI 25.L 63.ER 32	25	50	58	2÷20	25	63	18
E4-30x16	VDI 30.L 48.ER 16	30	32	68	1÷10	28	48	22
E4-30x25	VDI 30.L 57.ER 25	30	42	68	2÷16	28	57	22
E4-30x32	VDI 30.L 78.ER 32	30	50	68	2÷20	28	78	22
E4-30x40	VDI 30.L 80.ER 40	30	63	68	3÷30	28	80	22
E4-40x20	VDI 40.L 59.ER 20	40	35	83	1÷13	32.5	59	22
E4-40x25	VDI 40.L 57.ER 25	40	42	83	2÷16	32.5	57	22
E4-40x32	VDI 40.L 78.ER 32	40	50	83	2÷20	32.5	78	22
E4-40x40	VDI 40.L 80.ER 40	40	63	83	2÷30	32.5	80	22
E4-50x32	VDI 50.L 93.ER 32	50	50	98	2÷20	35	93	30
E4-50x40	VDI 50.L 80.ER 40	50	63	98	2÷30	35	80	30
E4-60x32	VDI 60.L 78.ER 32	60	50	123	2÷20	42.5	78	30
E4-60x40	VDI 60.L 80.ER 40	60	63	123	2÷30	42.5	80	30
E4-80x40	VDI 80.L 100.ER 40	80	63	158	2÷30	55	100	40

WERKZEUGHALTER MIT ZWEI BOHRUNGEN RECHTS
DOUBLE BORING BAR HOLDER, RIGHT
PORTE-OUTIL DOUBLE DROIT
PORTABARENO DOPPIO DESTRO

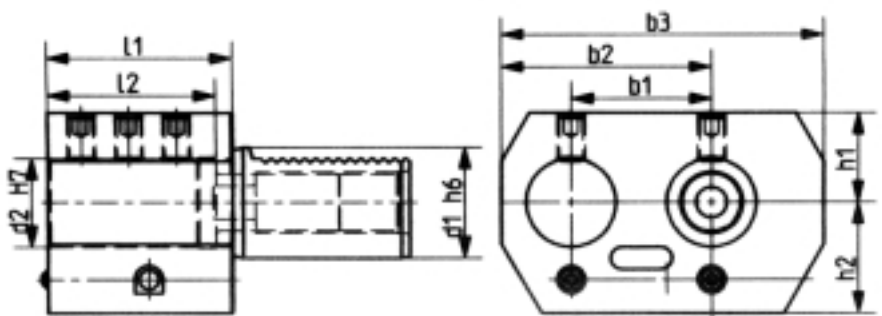
E7



Code N. (metric)	d1	d2	d2	h1	h2	l1	l2	b1	b2	b3	Code N. (inch)
E7-20x16	20	16	0.625"	25	25	45	42	32	51	76	E7-20x0.625"
E7-20x20	20	20	0.75"	25	25	45	42	32	51	76	E7-20x0.75"
E7-30x25	30	25	1"	28	32	56	52	45	65	95	E7-30x1"
E7-40x32	40	32	1.25"	32.5	40	66	60	50	75	115	E7-40x1.25"
E7-50x32	50	32	1.25"	32.5	47.5	60	60	50	75	115	E7-50x1.25"
E7-50x50	50	50	2"	35	49	90	80	68	103	152	E7-50x2"

WERKZEUGHALTER MIT ZWEI BOHRUNGEN LINKS
DOUBLE BORING BAR HOLDER, LEFT
PORTE-OUTIL DOUBLE GAUCHE
PORTABARENO DOPPIO SINISTRO

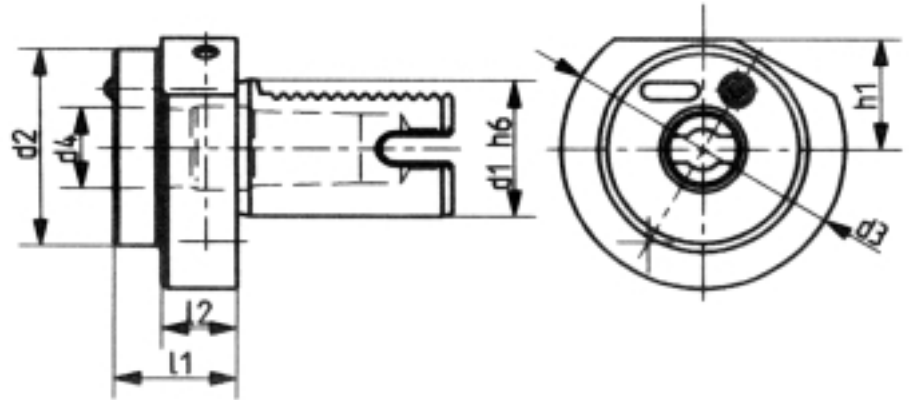
E8



Code N. (metric)	d1	d2	d2	h1	h2	l1	l2	b1	b2	b3	Code N. (inch)
E8-20x16	20	16	0.625"	25	25	45	42	32	51	76	E8-20x0.625"
E8-20x20	20	20	0.75"	25	25	45	42	32	51	76	E8-20x0.75"
E8-30x25	30	25	1"	28	32	56	52	45	65	95	E8-30x1"
E8-40x32	40	32	1.25"	32.5	40	66	60	50	75	115	E8-40x1.25"
E8-50x32	50	32	1.25"	32.5	47.5	60	60	50	75	115	E8-50x1.25"
E8-50x50	50	50	2"	35	49	90	80	68	103	152	E8-50x2"

MORSEKEGEL-AUFNAHME
 MORSE TAPER HOLDER
 PORTE-OUTIL POUR CONE MORSE
 PORTAUTENSILE CON SEDE CONO MORSE

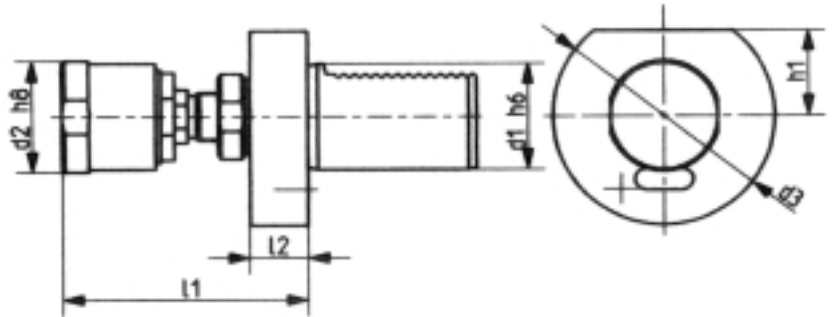
F



Code N.	d1	d2	d3	MK	d4	h1	l1	l2
F-16-MK-D1	16	-	40	1	12.065	-	61	-
F-16-MK-D2	16	-	42	2	17.780	-	72	-
F-20-MK-D1	20	-	50	1	12.065	-	23	-
F-20-MK-D2	20	45	50	2	17.780	-	41	22
F-25-MK-D1	25	45	58	1	12.065	25	23	18
F-25-MK-D2	25	45	58	2	17.780	25	34	18
F-25-MK-D3	25	49	58	3	23.825	25	91	18
F-30-MK-D1	30	-	68	1	12.065	28	27	-
F-30-MK-D2	30	55	68	2	17.780	28	36	27
F-30-MK-D3	30	55	68	3	23.825	28	66	41
F-40-MK-D1	40	55	83	1	12.065	32.5	23	22
F-40-MK-D2	40	55	83	2	17.780	32.5	36	22
F-40-MK-D3	40	58	83	3	23.825	32.5	36	22
F-40-MK-D4	40	68	83	4	31.267	32.5	80	22
F-50-MK-D2	50	55	98	2	17.780	35	36	30
F-50-MK-D3	50	58	98	3	23.825	35	45	30
F-50-MK-D4	50	68	98	4	31.267	35	55	30
F-50-MK-D5	50	75	98	5	44.399	35	72	30
F-60-MK-D2	60	55	123	2	17.780	42.5	35	30
F-60-MK-D3	60	58	123	3	23.825	42.5	45	30
F-60-MK-D4	60	68	123	4	31.267	42.5	55	30
F-60-MK-D5	60	88	123	5	44.399	42.5	63	30
F-80-MK-D4	80	68	158	4	31.267	55	55	40
F-80-MK-D5	80	88	158	5	44.399	55	68	40

WERKSTOFFANSCHLAG, MITLAUFEND
 REVOLVING BAR STOP
 PORTE-BUTEE
 FERMOBARRA

MW



Code N.	d1	d2	d3	h1	l1	l2
MW-2026	20	26	50	23	60-85	18
MW-2032	20	32	50	23	60-85	18
MW-2042	20	42	50	23	60-85	18
MW-3032	30	32	68	28	4-102	22
*MW-3042	30	42	68	28	84-102	22
MW-3058	30	58	68	28	84-102	22
MW-4032	40	32	83	32.5	84-102	22
*MW-4042	40	42	83	32.5	84-102	22
MW-4058	40	58	83	32.5	84-102	22

*Auf Anfrage auch in der gedämpften Ausführung lieferbar. Bitte fragen nach Lieferung und Preis

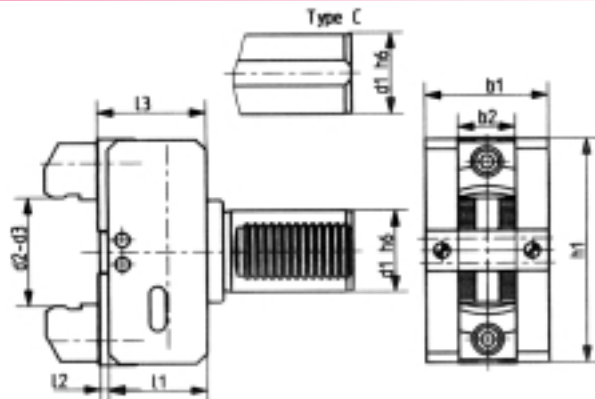
Supplyable in damped version too. Ask for price and availability.

C'est fournible aussi en version amortisee. Demandez prix et disponibilité.

Fornibile anche in versione ammortizzata. Chiedere disponibilità e prezzo.

STANGENGREIFER
 BAR PULLER
 SERRE BARRE
 STRINGIBARRA

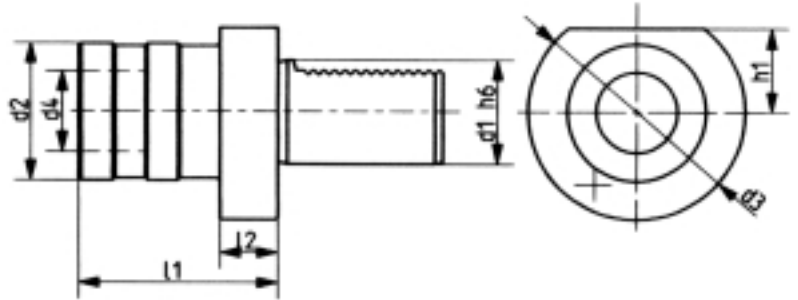
KH1



Code N.	d1	d2	*d3	b1	b2	h1	l1	l2	l3
KH1-20	20	6-56	54-110	50	28	72	46	4	51
KH1-25	25	6-56	54-110	50	28	72	46	4	51
KH1-25 C	25	6-56	54-110	50	28	72	46	4	51
KH1-30	30	6-56	54-110	50	28	72	46	4	51
KH1-32 C	32	6-56	54-110	50	28	72	46	4	51
KH1-40	40	10-60	54-110	60	28	110	48	4	53
KH1-40 C	40	10-60	54-110	60	28	110	48	4	53
KH1-50	50	10-75	62-125	65	28	130	67	5	73
KH1-50 C	50	10-75	62-125	65	28	130	67	5	73
KH1-60	60	10-75	62-125	65	28	130	67	5	73

**GEWINDESCHNEID-SCHNELLWECHSELFUTTER MIT LÄNGENAUSGLEICH
TENSION AND COMPRESSION TAPPING HEAD
MANDRINS DE TARAUDAGE A CHANGEMENT RAPIDE A DOUBLE USAGE
MASCHIATORI A DOPPIA COMPENSAZIONE**

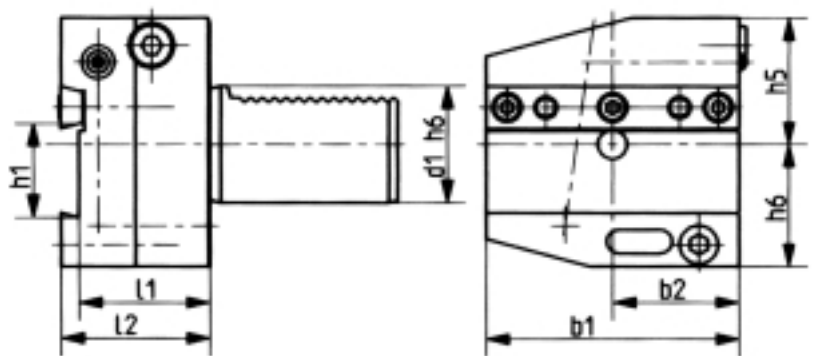
M



Code N.	d1	Top range	Size	Ext.	Pres.	d2	d3	d4	h1	l1	l2
M2720	30	M3-M12	1	9	9	36	68	19	28	55	22
M2730	40	M3-M12	1	9	9	36	83	19	32.5	55	22
M2820	30	M6-M20	2	15	15	53	68	31	28	76	22
M2830	40	M6-M20	2	15	15	53	83	31	32.5	76	22
M2930	40	M14-M33	3	24	24	78	109	48	57.5	123	22
M2940	50	M14-M33	3	24	24	78	121	48	60	109	30

**ABSTECHMEISSELHALTER, HÖHENEINSTELLBAR, RECHTS
TOOLHOLDER FOR CUT OFF TOOLS ADJUSTABLE IN HEIGHT, RIGHT
PORTE-OUTIL DE TRONCONNAGE AVEC REGLAGE EN HAUTEUR, A DROITE
PORTAUTENSILE REGOLABILE CON SEDE PER LAMA DA TAGLIO, DESTRO**

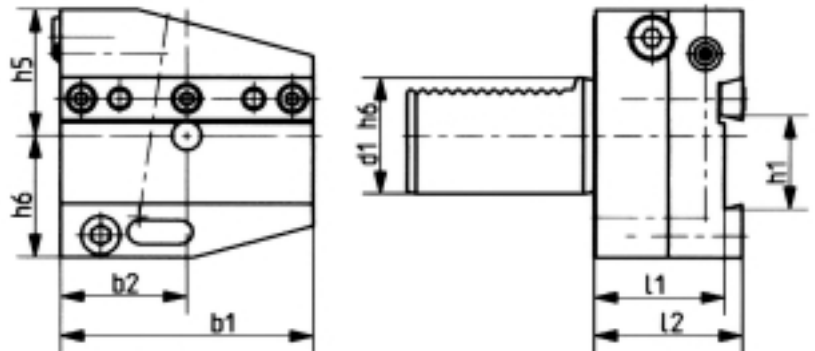
AR



Code N.(metric)	d1	b1	b2	h1	h1	h5	h6	l1	l2	Code N.(inch)
AR2526	25	60	30	26	1"	28	36	44	50	AR2526-1"
AR3026	30	70	35	26	1"	32	39	44	50	AR3026-1"
AR4026	40	85	42.5	26	1"	43	41.5	44	50	AR4026-1"
AR4032	40	85	42.5	32	1.25"	43	41.5	44	50	AR4032-1.25"
AR5026	50	100	50	26	1"	43	45	44	50	AR5026-1"
AR5032	50	100	50	32	1.25"	43	45	44	50	AR5032-1.25"
AR6032	60	125	62.5	32	1.25"	48	55	44	50	AR6032-1.25"

ABSTECHMEISSELHALTER, HÖHENEINSTELLBAR, LINKS
TOOLHOLDER FOR CUT OFF TOOLS ADJUSTABLE IN HEIGHT, LEFT
PORTE-OUTIL DE TRONCONNAGE AVEC REGLAGE EN HAUTEUR, A GAUCHE
PORTAUTENSILE REGOLABILE CON SEDE PER LAMA DA TAGLIO, SINISTRO

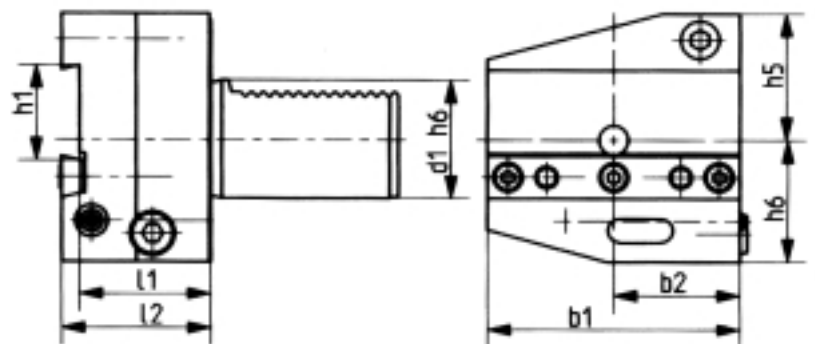
AL



Code N.(metric)	d1	b1	b2	h1	h1	h5	h6	l1	l2	Code N.(inch)
AL2526	25	60	30	26	1"	28	36	44	50	AL2526-1"
AL3026	30	70	35	26	1"	32	39	44	50	AL3026-1"
AL4026	40	85	42.5	26	1"	43	41.5	44	50	AL4026-1"
AL4032	40	85	42.5	32	1.25"	43	41.5	44	50	AL4032-1.25"
AL5026	50	100	50	26	1"	43	45	44	50	AL5026-1"
AL5032	50	100	50	32	1.25"	43	45	44	50	AL5032-1.25"
AL6032	60	125	62.5	32	1.25"	48	55	44	50	AL6032-1.25"

ABSTECHMEISSELHALTER, HÖHENEINSTELLBAR, ÜBERKOPF RECHTS
TOOLHOLDER FOR CUT OFF TOOLS ADJUSTABLE IN HEIGHT, UPSIDE-DOWN, RIGHT
PORTE-OUTIL DE TRONCONNAGE AVEC REGLAGE EN HAUTEUR, RENVERSE, DROITE
PORTAUTENSILE REGOLABILE CON SEDE PER LAMA DA TAGLIO, ROVESCIATO DESTRO

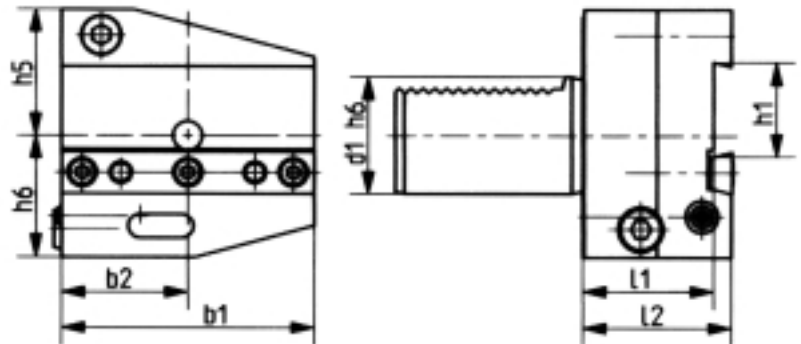
ARU



Code N.(metric)	d1	b1	b2	h1	h1	h5	h6	l1	l2	Code N.(inch)
ARU2526	25	60	30	26	1"	36	28	44	50	ARU2526-1"
ARU3026	30	70	35	26	1"	38	35	44	50	ARU3026-1"
ARU4026	40	85	42.5	26	1"	43	41.5	44	50	ARU4026-1"
ARU4032	40	85	42.5	32	1.25"	43	41.5	44	50	ARU4032-1.25"
ARU5026	50	100	50	26	1"	43	45	44	50	ARU5026-1"
ARU5032	50	100	50	32	1.25"	43	45	44	50	ARU5032-1.25"
ARU6032	60	125	62.5	32	1.25"	48	55	44	50	ARU6032-1.25"

ABSTECHMEISSELHALTER, HÖHENEINSTELLBAR, UBERKOPF LINKS
TOOLHOLDER FOR CUT OFF TOOLS ADJUSTABLE IN HEIGHT, UPSIDE-DOWN, LEFT
PORTE-OUTIL DE TRONCONNAGE AVEC REGLAGE EN HAUTEUR, RENVERSE, GAUCHE
PORTAUTENSILE REGOLABILE CON SEDE PER LAMA DA TAGLIO, ROVESCIAIO SINISTRO

ALU



Code N.(metric)	d1	b1	b2	h1	h1	h5	h6	l1	l2	Code N.(inch)
ALU2526	25	60	30	26	1"	36	28	44	50	ALU2526-1"
ALU3026	30	70	35	26	1"	38	32	44	50	ALU3026-1"
ALU4026	40	85	42.5	26	1"	41.5	43	44	50	ALU4026-1"
ALU4032	40	85	42.5	32	1.25"	41.5	43.5	44	50	ALU4032-1.25"
ALU5026	50	100	50	26	1"	43	45	44	50	ALU5026-1"
ALU5032	50	100	50	32	1.25"	43	45	44	50	ALU5032-1.25"
ALU6032	60	125	62.5	32	1.25"	48	55	44	50	ALU6032-1.25"