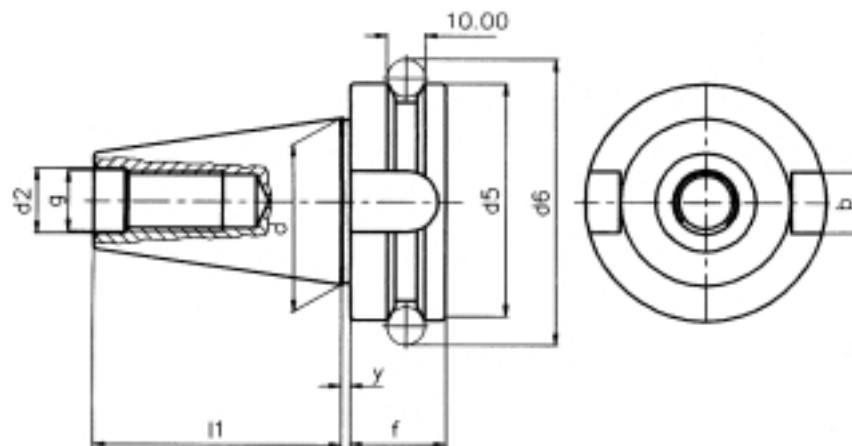
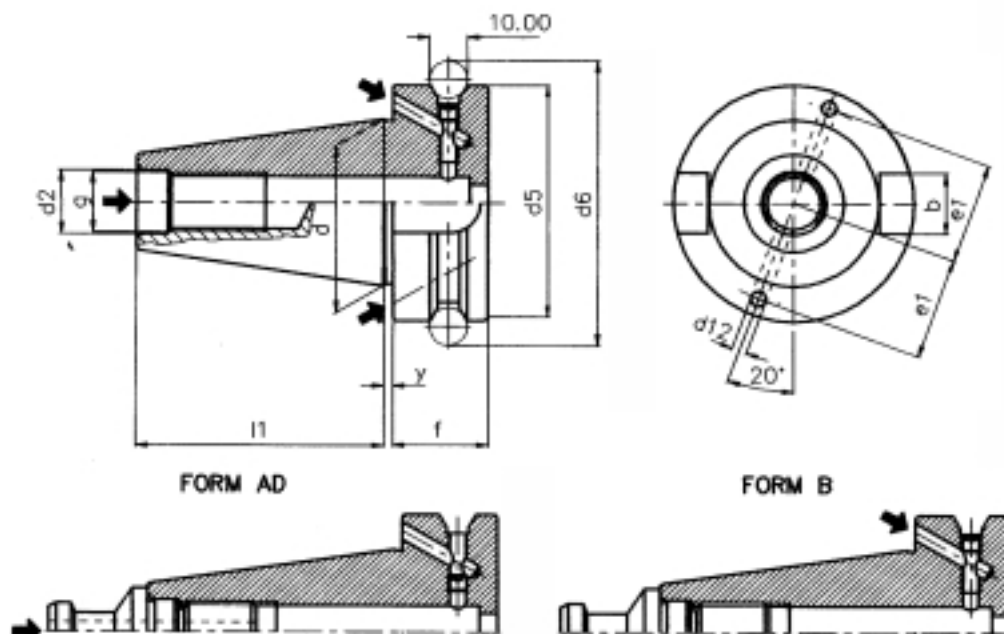


MAS 403 / BT A

MAS 403 / BT AD/ B



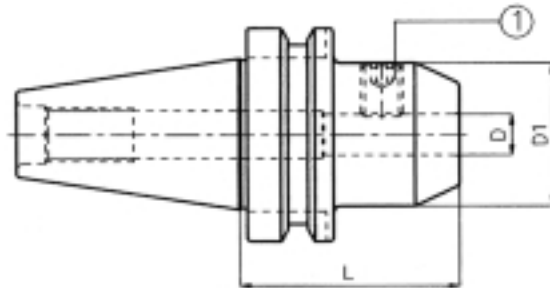
BT	d	l1	d2	g	y	d5	f	d6	b
30	31,75	48,4	13	M12	2	46	20	56,144	16,1
40	44,45	65,4	17	M16	2	63	25	75,68	16,1
50	69,85	101,8	25	M24	3	100	35	110,02	25,7



BT	d	l1	d2	g	y	d5	f	d6	d12	e1	b
40	44,45	65,4	17	M16	2	63	25	75,68	4	27	16,1
50	69,85	101,8	25	M24	3	100	35	110,02	5	42	25,7

ZYLINDERSCHAFTAUFNAHME WELDON
 END MILL HOLDERS WELDON
 MANDRINS POUR OUTIL TYPE WELDON
 MANDRINI PORTAFRESE TIPO WELDON

DIN 1835 B



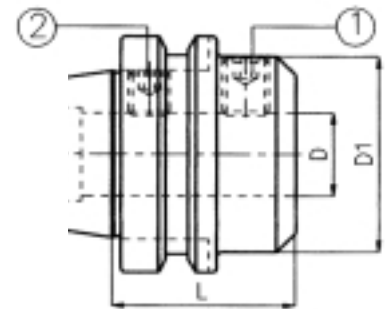
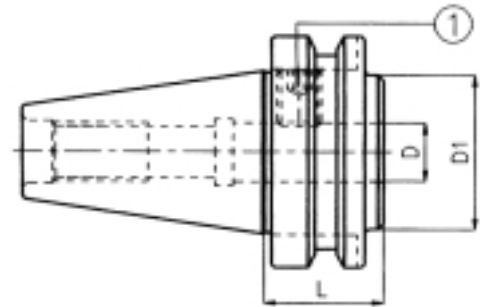
Code N.	Description	ISO	D	L	D1
263-11501	BT30H50WE06	30	6	50	25
263-11502	BT30H50WE08	30	8	50	28
263-11503	BT30H50WE10	30	10	50	35
263-11504	BT30H55WE12	30	12	55	42
263-11505	BT30H63WE16	30	16	63	48
263-11506	BT30H70WE20	30	20	70	52
213-11532	BT40H50WE06	40	6	50	25
213-11533	BT40H50WE08	40	8	50	28
213-11534	BT40H63WE10	40	10	63	35
213-11535	BT40H63WE12	40	12	63	42
213-11536	BT40H63WE14	40	14	63	44
213-11537	BT40H63WE16	40	16	63	48
213-11538	BT40H63WE18	40	18	63	50
213-11539	BT40H63WE20	40	20	63	50
213-11540	BT40H90WE25	40	25	90	65
213-11541	BT40H100WE32	40	32	100	72
213-11542	BT50H63WE06	50	6	63	25
213-11543	BT50H63WE08	50	8	63	28
213-11544	BT50H70WE10	50	10	70	35
213-11545	BT50H80WE12	50	12	80	42
213-11546	BT50H80WE14	50	14	80	44
213-11547	BT50H80WE16	50	16	80	48
213-11548	BT50H80WE18	50	18	80	50
213-11549	BT50H80WE20	50	20	80	52
213-11550	BT50H100WE25	50	25	100	65
213-11557	BT50H105WE32	50	32	105	72
213-11558	BT50H120WE40	50	40	120	90

Ersatzteile / Parts / Pièces détachées / Componenti

D	Locking screw	Quantity
		
6	811-106001	1
8	811-106002	1
10	811-106004	1
12,14	811-106005	1
16,18	811-106006	1
20	811-106007	1
25	811-106008	2
32	811-106009	2
40	811-106009	2

KURZE ZYLINDERSCHAFTAUFNAHME WELDON
SHORT END MILL WELDON HOLDERS
MANDRINS COURTS PORTE-FRAISE TYPE WELDON
MANDRINI CORTI PORTAFRESE TIPO WELDON

DIN 1835 B



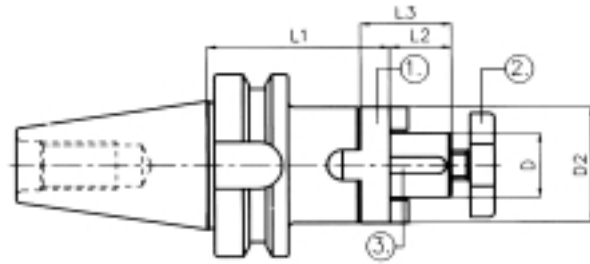
Code N.	Description	ISO	D	L	D1
263-11511	BT40H35WE16	40	16	35	44
263-11512	BT40H35WE20	40	20	35	44
263-11513	BT40H35WE25	40	25	35	44
263-11514	BT40H60WE25	40	25	60	49
263-11515	BT40H70WE32	40	32	70	72
263-11516	BT50H44WE16	50	16	44	70
263-11517	BT50H44WE20	50	20	44	70
263-11518	BT50H44WE25	50	25	44	70
263-11519	BT50H44WE32	50	32	44	70

Ersatzteile / Parts / Pieces detachees / Componenti

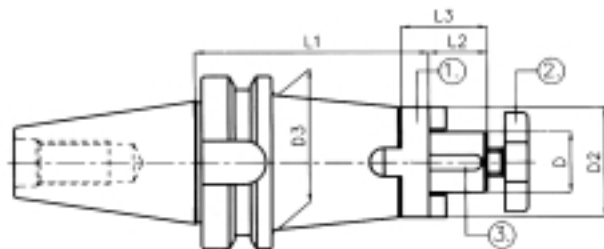
Code N.	Locking screw	Quantity	Locking screw	Quantity
				
263-11511	811-106006	1	-	
263-11512	811-106007	1	-	
263-11513	811-106029	1	-	
263-11514	811-106008	1	811-106026	1
263-11515	811-106009	1	811-106026	1
263-11516	811-106006	1	-	
263-11517	811-106007	1	-	
263-11518	811-106008	1	-	
263-11519	811-106009	1	-	

KOMBI-AUFSTECKFRÄSDORN
COMBI-SHELL MILL ADAPTORS
MANDRINS PORTE-FRAISES A DOUBLE USAGE
MANDRINI PORTAFRESE COMBINATI

DIN 6358



Code N.	Description	ISO	D	L1	L2	L3	D2
216-11527	BT30H50D16C	30	16	50	17	27	32
216-11528	BT30H50D22C	30	22	50	19	31	40
216-11529	BT30H55D27C	30	27	55	21	33	48
216-11501	BT40H55D16C	40	16	55	17	27	32
216-11502	BT40H55D22C	40	22	55	19	31	40
216-11503	BT40H55D27C	40	27	55	21	33	48
216-11504	BT40H60D32C	40	32	60	24	38	58
216-11505	BT40H60D40C	40	40	60	27	41	70
216-11507	BT50H70D16C	50	16	70	17	27	32
216-11508	BT50H70D22C	50	22	70	19	31	40
216-11509	BT50H70D27C	50	27	70	21	33	48
216-11510	BT50H70D32C	50	32	70	24	38	58
216-11511	BT50H70D40C	50	40	70	27	41	70



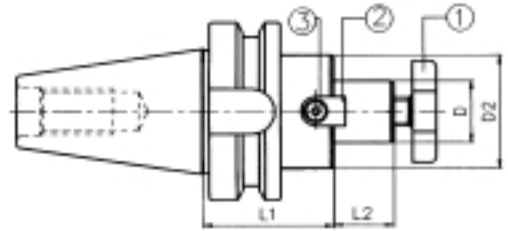
Code N.	Description	ISO	D	L1	L2	L3	D2	D3
216-11536	BT30H80D16C	30	16	80	17	27	32	38
216-11537	BT30H80D22C	30	22	80	19	31	40	-
216-11538	BT30H90D27C	30	27	90	21	33	48	-
216-11517	BT40H90D16C	40	16	90	17	27	32	40
216-11518	BT40H90D22C	40	22	90	19	31	40	44
216-11519	BT40H90D27C	40	27	90	21	33	48	-
216-11520	BT40H100D32C	40	32	100	24	38	58	-
216-11521	BT40H100D40C	40	40	100	27	41	70	-
216-11522	BT50H100D16C	50	16	100	17	27	32	50
216-11523	BT50H100D22C	50	22	100	19	31	40	60
216-11524	BT50H100D27C	50	27	100	21	33	48	60
216-11525	BT50H100D32C	50	32	100	24	38	58	-
216-11526	BT50H100D40C	50	40	100	27	41	70	-

Ersatzteile / Parts / Pièces détachées / Componenti

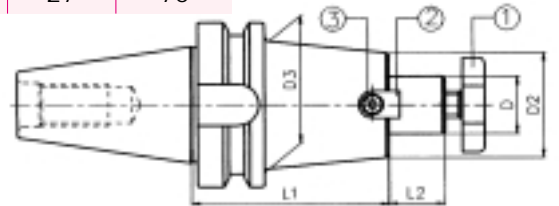
D	Ring	Screw	Key
16	814-30001	811-107003	814-201010
22	814-30002	811-107004	814-201020
27	814-30003	811-107005	814-201030
32	814-30004	811-107006	814-201040
40	814-30005	811-107007	814-201050

AUFSTECKFRÄSDORNE FÜR FRÄSER MIT QUERNUT
FACE MILL HOLDERS-TENONS DRIVE
MANDRINS PORTE-FRAISE-ENTRAÎNEMENT PAR TENONS
MANDRINI PORTAFRESE A TRASCINAMENTO FISSO

ISO 3937



Code N.	Description	ISO	D	L1	L2	D2
216-71501	BT30H35D16F	30	16	35	17	32
216-71502	BT30H35D22F	30	22	35	19	40
216-71503	BT30H35D27F	30	27	35	21	48
216-71507	BT40H45D16F	40	16	45	17	32
216-71508	BT40H45D22F	40	22	45	19	40
216-71509	BT40H45D27F	40	27	45	21	48
216-71510	BT40H50D32F	40	32	50	24	58
216-71511	BT40H55D40F	40	40	55	27	70
216-71517	BT50H60D16F	50	16	60	17	32
216-71518	BT50H60D22F	50	22	60	19	40
216-71519	BT50H60D27F	50	27	60	21	48
216-71520	BT50H60D32F	50	32	60	24	58
216-71521	BT50H60D40F	50	40	60	27	70



Code N.	Description	ISO	D	L1	L2	D2	D3
216-71522	BT40H100D16F	40	16	100	17	39	-
216-71523	BT40H150D16F	40	16	150	17	39	-
216-71526	BT40H100D22F	40	22	100	19	46	49
216-71527	BT40H150D22F	40	22	150	19	46	49
216-71528	BT40H200D22F	40	22	200	19	46	49
216-71530	BT40H100D27F	40	27	100	19	50	60
216-71531	BT40H150D27F	40	27	150	19	50	60
216-71532	BT40H200D27F	40	27	200	19	50	60
216-71534	BT50H100D22F	50	22	100	19	46	49
216-71535	BT50H150D22F	50	22	150	19	46	49
216-71536	BT50H200D22F	50	22	200	19	46	49
216-71539	BT50H100D27F	50	27	100	19	50	60
216-71540	BT50H150D27F	50	27	150	19	50	60
216-71541	BT50H200D27F	50	27	200	19	50	60
216-71544	BT50H100D27F	50	27	100	21	55	78
216-71545	BT50H150D27F	50	27	150	21	55	78
216-71546	BT50H200D27F	50	27	200	21	55	78

Ersatzteile / Parts / Pièces détachées / Componenti

A Für Fräser D50
 Suitable for milling cutters D50
 Adaptes pour fraises D50
 Adatti per frese D50

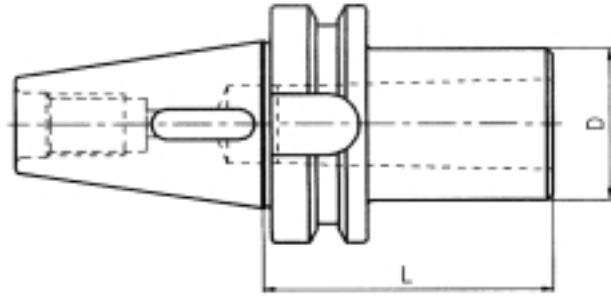
B Für Fräser D63
 Suitable for milling cutters D63
 Adaptes pour fraises D63
 Adatti per frese D63

C Für Fräser D80
 Suitable for milling cutters D80
 Adaptes pour fraises D80
 Adatti per frese D80

D/D2	Screw	Tenon	Screw
			
16/32	811-107003	814-20214	811-101003
22/40	811-107004	814-20215	811-101010
27/48	811-107005	814-20216	811-101017
32/58	811-107006	814-20217	811-101027
40/70	811-107007	814-20218	811-101028
16/39	811-107003	814-20228	811-101004
22/46	811-107004	814-20225	811-101011
22/50	811-107004	814-20226	811-101012
27/55	811-107005	814-20217	811-101017

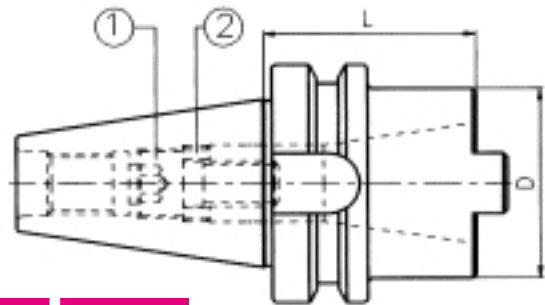
ZWISCHENHÜLSEN FÜR MORSEKEGEL MIT AUSTREIBLAPPEN
MORSE TAPER ADAPTORS FOR DRILLS
DOUILLES POUR CONE MORSE A TENON
MANDRINI PORTAPUNTE ATTACCO CONO MORSE

DIN 228-2 FORM D



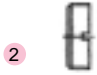
Code N.	Description	ISO	MORSE	D	L
212-41512	BT30H50CM1P	30	1	25	50
212-41513	BT30H60CM2P	30	2	32	60
212-41518	BT30H79CM3P	30	3	40	79
212-41501	BT40H50CM1P	40	1	25	50
212-41502	BT40H50CM2P	40	2	32	50
212-41503	BT40H70CM3P	40	3	40	70
212-41504	BT40H95CM4P	40	4	48	95
212-41519	BT50H45CM1P	50	1	25	45
212-41505	BT50H60CM2P	50	2	32	60
212-41506	BT50H65CM3P	50	3	40	65
212-41507	BT50H70CM4P	50	4	48	70
212-41508	BT50H105CM5P	50	5	63	105

ZWISCHENHÜLSEN SK X SK
ISO TAPER ADAPTORS
DOUILLES INTERMEDIARES SA X SA
MANDRINI A RIDUZIONE DA ISO A ISO



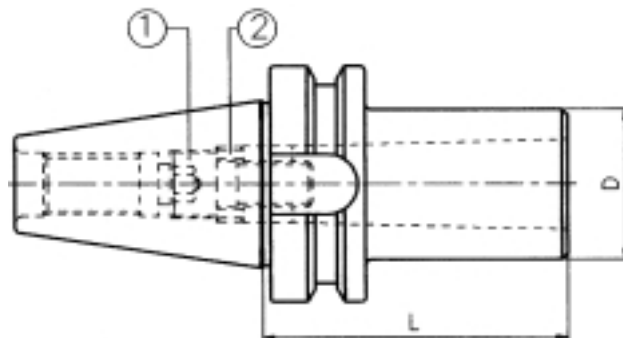
Code N.	Description	ISO	ISO	D	L
212-11504	BT40H63ISO30	40	30	52	63
212-11507	BT50H70ISO40	50	40	78	70

Ersatzteile / Parts / Pieces detachees / Componenti

ISO/ISO	Screw	Ring
		
40/30	811-111008	811-302032
50/40	811-111005	811-302036

ZWISCHENHÜLSEN FÜR MORSEKEGEL MIT ANZUGSGEWINDE
MORSE TAPER ADAPTER WITH TREAD
DOULLES POUR CÔNE MORSE AVEC TARAUDAGE
MANDRINI PORTAFRESE ATTACCO CONO MORSE

DIN 228-2 FORM C

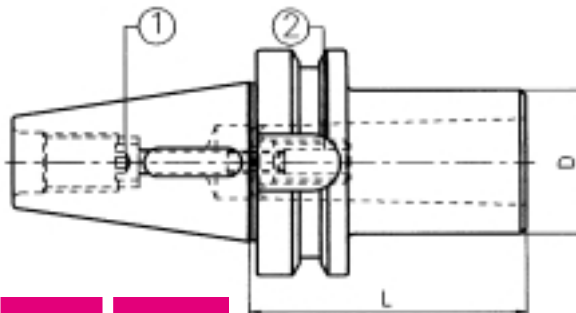


Code N.	Description	ISO	MORSE	D	L
212-21512	BT30H50CM1F	30	1	25	50
212-21513	BT30H60CM2F	30	2	32	60
212-21518	BT30H80CM3F	30	3	40	80
212-21501	BT40H50CM1F	40	1	25	50
212-21502	BT40H50CM2F	40	2	32	50
212-21503	BT40H70CM3F	40	3	40	70
212-21504	BT40H95CM4F	40	4	48	95
212-21519	BT50H45CM1F	50	1	25	45
212-21505	BT50H60CM2F	50	2	32	60
212-21506	BT50H65CM3F	50	3	40	65
212-21507	BT50H90CM4F	50	4	48	90
212-21508	BT50H118CM5F	50	5	63	118

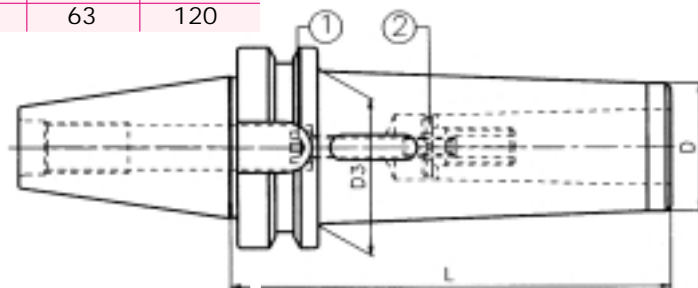
Ersatzteile / Parts / Pièces détachées / Componenti

ISO/MORSE	Screw	Ring
30/1	811-111009	811-302037
30/2	811-111007	811-302031
30/3	811-111008	811-302032
40/1	811-101029	811-302030
40/2	811-111007	811-302031
40/3	811-111008	811-302032
40/4	811-111005	811-302036
50/1	811-101031	811-302030
50/2	811-101054	811-302032
50/3	811-101065	811-302032
50/4	811-401037	811-302036
50/5	811-101092	811-302034

ZWISCHENHÜSLEN FÜR MORSEKEGEL MIT AUSTREIBLAPPEN ODER ANZUGSGEWINDE
 MORSE TAPER ADAPTORS FOR DRILLS AND MILLS
 DOUILLES POUR CONE MORSE A TENON ET AVEC TARAUDAGE
 MANDRINI PORTAPUNTE-PORTAFRESE ATTAGGO CONO MORSE DIN 228-2 FORM C/D







	Code N.	Description	ISO	MORSE	D	L
STANDARD	212-61512	BT30H55CM1P/F	30	1	25	55
	212-61513	BT30H65CM2P/F	30	2	32	65
	212-61514	BT30H90CM3P/F	30	3	40	90
	212-61518	BT40H50CM1P/F	40	1	25	50
	212-61519	BT40H60CM2P/F	40	2	32	60
	212-61520	BT40H80CM3P/F	40	3	40	80
	212-61522	BT50H45CM1P/F	50	1	25	45
	212-61523	BT50H60CM2P/F	50	2	32	60
	212-61524	BT50H65CM3P/F	50	3	40	65
	212-61525	BT50H95CM4P/F	50	4	48	95
	212-61526	BT50H120CM5P/F	50	5	63	120

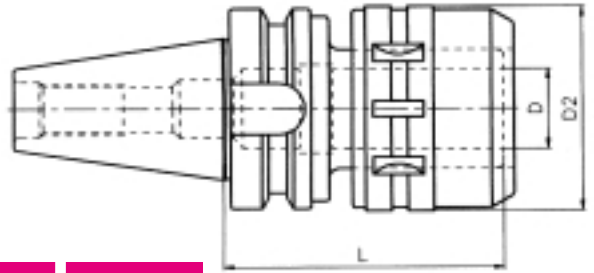


	Code N.	Description	ISO	MORSE	D	D3	L
EXTENDED	212-61527	BT30H110CM1P/F	30	1	18	25	110
	212-61528	BT30H120CM2P/F	30	2	25	32	120
	212-61529	BT30H140CM3P/F	30	3	33	40	140
	212-61501	BT40H115CM1P/F	40	1	18	25	115
	212-61502	BT40H125CM2P/F	40	2	25	32	125
	212-61503	BT40H140CM3P/F	40	3	33	40	140
	212-61505	BT50H120CM1P/F	50	1	18	25	120
	212-61506	BT50H140CM2P/F	50	2	25	32	140
	212-61507	BT50H150CM3P/F	50	3	33	40	150
	212-61508	BT50H180CM4P/F	50	4	40	48	180
	212-61509	BT50H220CM5P/F	50	5	55	63	220

Ersatzteile / Parts / Pièces détachées / Componenti

Code N.	Screw	Ring	Code N.	Screw	Ring
					
212-61512	811-101032	-	212-61527	811-101034	-
212-61513	811-111026	811-302010	212-61528	811-101035	811-302010
212-61514	811-101035	811-302006	212-61529	811-101037	811-302006
212-61518	811-101033	-	212-61501	811-101037	-
212-61519	811-401018	-	212-61502	811-101061	-
212-61520	811-101034	811-302006	212-61503	811-101081	811-302006
212-61522	811-101033	-	212-61505	811-101077	-
212-61523	811-101057	-	212-61506	811-101078	-
212-61524	811-101071	-	212-61507	811-101079	-
212-61525	811-401016	-	212-61508	811-401030	-
212-61526	811-101071	811-302008	212-61509	811-101080	811-302008

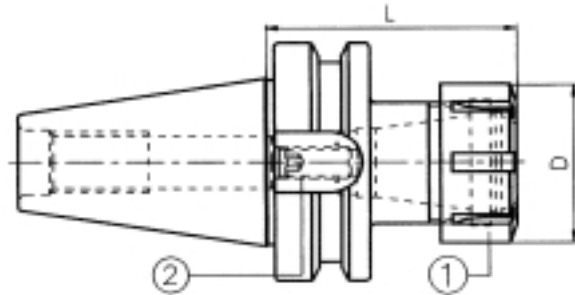
**KRAFTSPANNFUTTER
MILLING CHUCK
MANDRINS A FORT SERRAGE
MANDRINI A FORTE SERRAGGIO**



Code N.	Description	ISO	D	D2	L
214-01501	BT40H105C20	40	20	54	105
214-01502	BT40H105C32	40	32	72	105
214-01503	BT40H135C32	40	32	72	135
214-01504	BT50H105C20	50	20	54	105
214-01505	BT50H105C32	50	32	72	105
214-01506	BT50H135C32	50	32	72	135



**SPANNZANGENFUTTER ER TYP
ER COLLET CHUCKS
MANDRINS A PINCES TYPE ER
MANDRINI PORTAPINZA TIPO ER**

DIN 6499



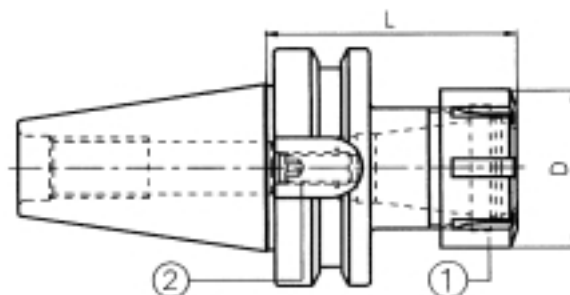
Code N.	Description	ISO	ER	D	L
214-31511	BT30H55ER16	30	16	32	55
214-31512	BT30H55ER25	30	25	42	55
214-31525	BT30H60ER32	30	32	50	60
214-31539	BT40H70ER16	40	16	32	70
214-31501	BT40H65ER25	40	25	42	65
214-31502	BT40H75ER32	40	32	50	75
214-31515	BT40H80ER40	40	40	63	80
214-31549	BT50H80ER25	50	25	42	80
214-31503	BT50H75ER32	50	32	50	75
214-31504	BT50H75ER40	50	40	63	75

Ersatzteile / Parts / Pieces detachees / Componenti

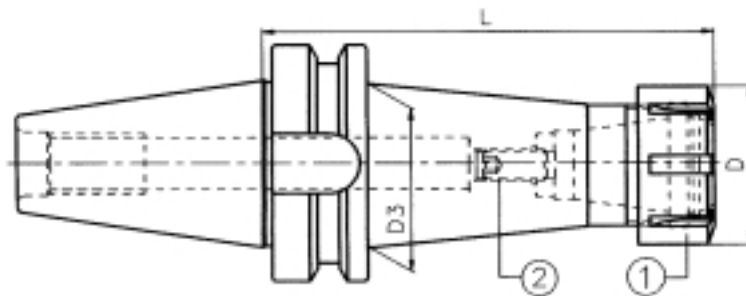
ER	Nut	Stop screw
		
16	812-203005	811-104015
25	812-203001	811-303001
32	812-203002	811-303001
40	812-203003	811-303014

SPANNZANGENFUTTER EOC TYP
EOC COLLET CHUCKS
MANDRINS A PINCES TYPE EOC
MANDRINI PORTAPINZA TIPO EOC

DIN 6388


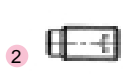


	Code N.	Description	ISO	EOC	D	L
STANDARD	214-11505	BT40H70EOC16	40	16	43	70
	214-11507	BT40H70EOC25	40	25	60	70
	214-11511	BT50H85EOC25	50	25	60	85
	214-11513	BT50H90EOC32	50	32	72	90



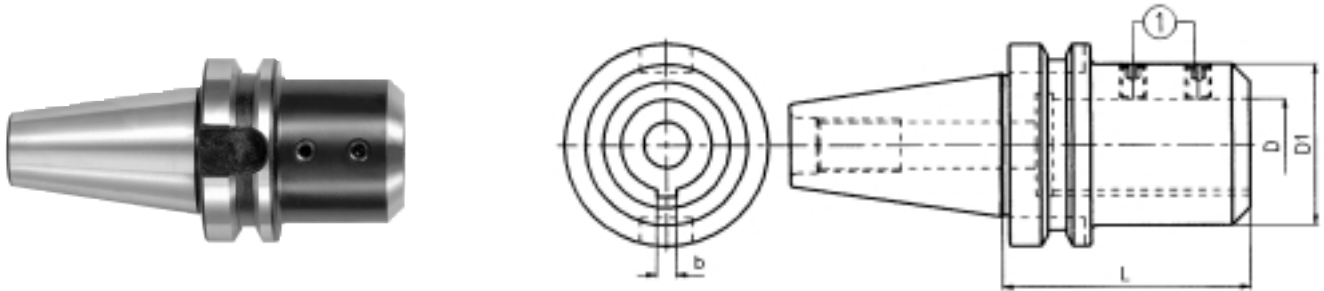
	Code N.	Description	ISO	EOC	D	D3	L
EXTENDED	214-11506	BT40H130EOC16	40	16	43	43	130
	214-11508	BT40H130EOC25	40	25	60	-	130
	214-11520	BT50H130EOC16	50	16	43	43	130
	214-11512	BT50H130EOC25	50	25	60	60	130

Ersatzteile / Parts / Pièces détachées / Componenti

EOC	Nut	Stop screw
		
16	812-202050	811-303001
25	812-202070	811-303001
32	812-202080	811-303014

**STELLHÜLSENAUFNAHMEN
MASTER SHANKS FOR ADJUSTABLE ADAPTORS
MANDRINS POUR DOUILLES DE REGLAGE
MANDRINI PER ASTUCCI REGISTABILI**

DIN 6327

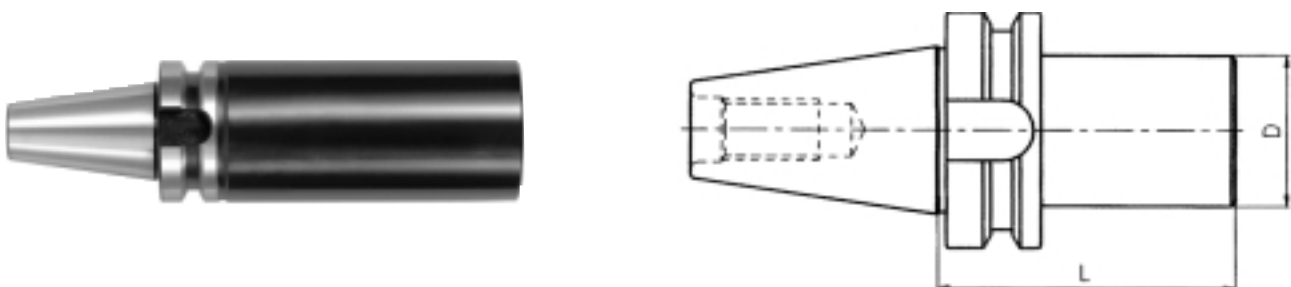


Code N.	Description	ISO	D	D1	L	b
211-11501	BT40H70D28TR	40	28	55	70	6
211-11502	BT40H120D36TR	40	36	63	120	8
211-11503	BT50H100D28TR	50	28	55	100	6
211-11504	BT50H100D36TR	50	36	63	100	8

Ersatzteile / Parts / Pieces detachees / Componenti

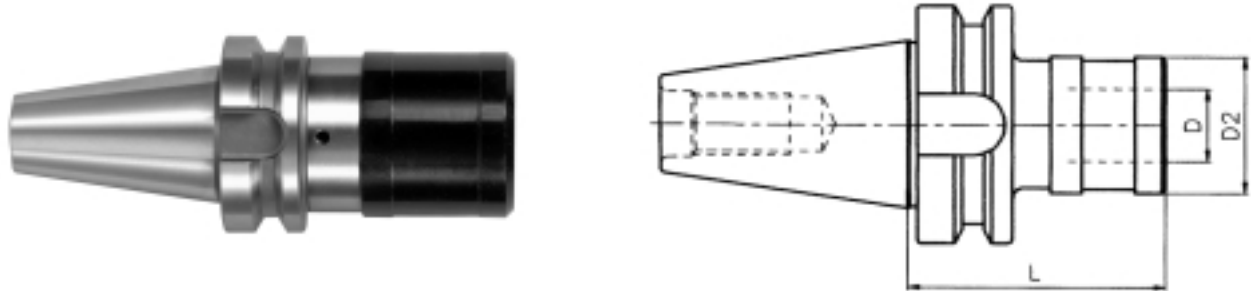
D	Screw
28	811-102027
36	811-102036

**ROHLINGE
BLANK TOOLHOLDERS
BARRES D'ALEPAGE SEMI-FINIES
MANDRINI SEMILAVORATI A STELO TENERO**



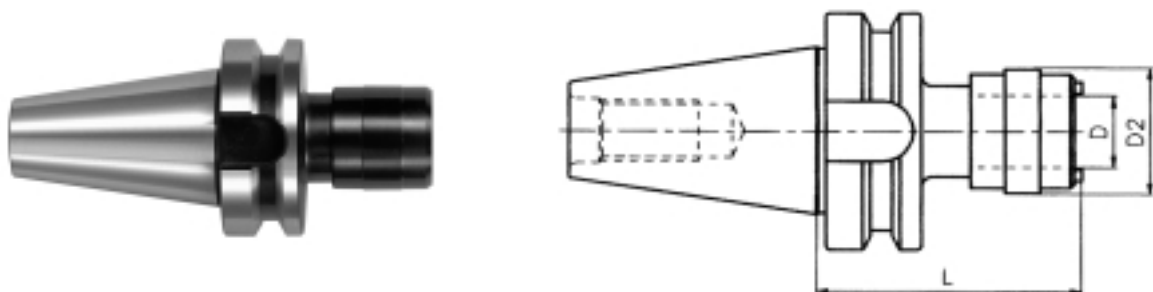
Code N.	Description	ISO	D	L
217-41502	BT40H160D40.5SM	40	40.5	160
217-41503	BT40H160D63.5SM	40	63.5	160
217-41504	BT40H250D63.5SM	40	63.5	250
217-41505	BT50H160D80SM	50	80	160
217-41506	BT50H200D80SM	50	80	200
217-41507	BT50H300D80SM	50	80	300

GEWINDESCHNEID-SCHNELLWECHSELFUTTER MIT LÄNGENAUSGLEICH
TENSION AND COMPRESSION TAPPING HEAD
MANDRINS DE TARAUDAGE A CHANGEMENT RAPIDE A DOUBLE USAGE
MASCHIATORI A DOPPIA COMPENSAZIONE



Code N.	Description	ISO	SIZE	Top range	PRESS.	EXT.	D	D2	L
M-3310	BT40H67GR1.DC	40	1	M3-M12	9	9	19	36	67
M-3410	BT40H93GR2.DC	40	2	M6-M20	15	15	31	53	93
M-3510	BT40H138GR3.DC	40	3	M14-M33	24	24	48	78	138
M-3320	BT50H81GR1.DC	50	1	M3-M12	9	9	19	36	81
M-3430	BT50H102GR2.DC	50	2	M6-M20	15	15	31	53	102
M-3530	BT50H135GR3.DC	50	3	M14-M33	24	24	48	78	135

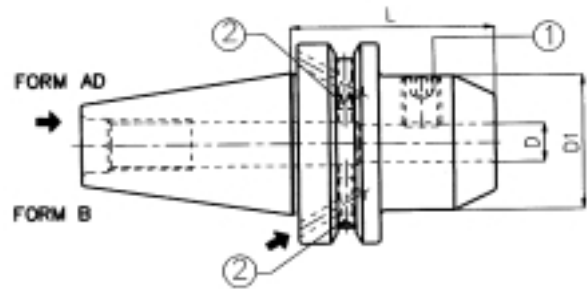
GEWINDESCHNEID-SCHNELLWECHSELFUTTER OHNE LÄNGENAUSGLEICH
SOLID TAPPING HEAD
MANDRIN DE TARAUDAGE A CHANGEMENT RAPIDE SANS COMPENSATION
MASCHIATORI RIGIDI SENZA COMPENSAZIONE



Code N.	Description	ISO	SIZE	Top range	D	D2	L
M6010	BT40H67GR1.SC	40	1	M3-M12	19	33	67
M6020	BT40H90GR2.SC	40	2	M6-M20	31	50	90

ZYLINDERSCHAFTAUFNAHME WELDON
 END MILL HOLDERS WELDON
 MANDRINS POUR OUTIL TYPE WELDON
 MANDRINI PORTAFRESE TIPO WELDON

DIN 1835 B



Code N.	Description	ISO	D	L	D1
213-11413	BT40H50WE06 AD+B	40	6	50	25
213-11414	BT40H50WE08 AD+B	40	8	50	28
213-11415	BT40H63WE10 AD+B	40	10	63	35
213-11416	BT40H63WE12 AD+B	40	12	63	42
213-11417	BT40H63WE14 AD+B	40	14	63	44
213-11418	BT40H63WE16 AD+B	40	16	63	48
213-11419	BT40H63WE18 AD+B	40	18	63	50
213-11420	BT40H63WE20 AD+B	40	20	63	52
213-11421	BT40H90WE25 AD+B	40	25	90	65
213-11422	BT40H100WE32 AD+B	40	32	100	72
213-11423	BT50H63WE06 AD+B	50	6	63	25
213-11424	BT50H63WE08 AD+B	50	8	63	28
213-11425	BT50H70WE10 AD+B	50	10	70	35
213-11426	BT50H80WE12 AD+B	50	12	80	42
213-11427	BT50H80WE14 AD+B	50	14	80	44
213-11428	BT50H80WE16 AD+B	50	16	80	48
213-11429	BT50H80WE18 AD+B	50	18	80	50
213-11430	BT50H80WE20 AD+B	50	20	80	52
213-11431	BT50H100WE25 AD+B	50	25	100	65
213-11432	BT50H105WE32 AD+B	50	32	105	72
213-11433	BT50H120WE40 AD+B	50	40	120	90

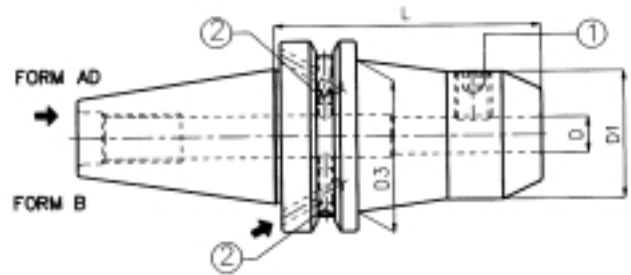
Ersatzteile / Parts / Pieces detachees / Componenti

Tape	Screw	Quantity
		
ISO 40	811-102010	2
ISO 50	811-102017	2

D	Locking screw	Quantity
		
6	811-106001	1
8	811-106002	1
10	811-106004	1
12,14	811-106005	1
16,18	811-106006	1
20	811-106007	1
25	811-106008	2
32	811-106009	2
40	811-106009	2

ZYLINDERSCHAFTAUFNAHME WELDON-LANG
 END MILL HOLDERS WELDON-LONG PROJECTION TYPE
 MANDRINS POUR OUTIL TYPE WELDON-SERIE LONGUE
 MANDRINI PORTAFRESE TIPO WELDON-SERIE LUNGA


DIN 1835 B



Code N.	Description	ISO	D	L	D1	D3
213-11434	BT40H100WE06 AD+B	40	6	100	25	35
213-11442	BT40H160WE06 AD+B	40	6	160	25	35
213-11435	BT40H100WE08 AD+B	40	8	100	28	38
213-11443	BT40H160WE08 AD+B	40	8	160	28	38
213-11436	BT40H100WE10 AD+B	40	10	100	35	40
213-11444	BT40H160WE10 AD+B	40	10	160	35	40
213-11437	BT40H100WE12 AD+B	40	12	100	42	-
213-11445	BT40H160WE12 AD+B	40	12	160	42	-
213-11438	BT40H100WE14 AD+B	40	14	100	44	-
213-11439	BT40H100WE16 AD+B	40	16	100	48	-
213-11446	BT40H160WE16 AD+B	40	16	160	48	-
213-11440	BT40H100WE18 AD+B	40	18	100	50	-
213-11441	BT40H100WE20 AD+B	40	20	100	52	-
213-11447	BT40H160WE20 AD+B	40	20	160	52	-
213-11448	BT50H100WE06 AD+B	50	6	100	25	35
213-11457	BT50H160WE06 AD+B	50	6	160	25	42
213-11449	BT50H100WE08 AD+B	50	8	100	28	38
213-11458	BT50H160WE08 AD+B	50	8	160	28	45
213-11450	BT50H100WE10 AD+B	50	10	100	35	42
213-11459	BT50H160WE10 AD+B	50	10	160	35	49
213-11451	BT50H100WE12 AD+B	50	12	100	42	48
213-11460	BT50H160WE12 AD+B	50	12	160	42	55
213-11452	BT50H100WE14 AD+B	50	14	100	44	50
213-11453	BT50H100WE16 AD+B	50	16	100	48	54
213-11461	BT50H160WE16 AD+B	50	16	160	48	60
213-11454	BT50H100WE18 AD+B	50	18	100	50	62
213-11455	BT50H100WE20 AD+B	50	20	100	52	66
213-11462	BT50H160WE20 AD+B	50	20	160	52	69

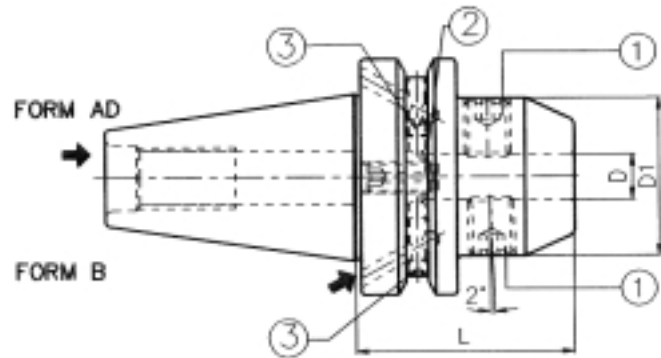
Ersatzteile / Parts / Pieces detachees / Componenti

Tape	Screw	Quantity
		
ISO 40	811-102010	2
ISO 50	811-102017	2

D	Locking screw	Quantity
		
6	811-106001	1
8	811-106002	1
10	811-106004	1
12,14	811-106005	1
16,18	811-106006	1
20	811-106007	1
25	811-106008	2

KOMBI-ZYLINDERSCHAFTAUFNAHME WELDON+WHISTLE NOTCH
COMBI END MILL HOLDERS WELDON AND WHISTLE NOTCH
MANDRINS PORTE-FRAISE DOUBLE USAGE WELDON ET WHISTLE NOTCH
MANDRINI PORTAFRESE COMBINATI WELDON+WHISTLE NOTCH

DIN 1835 B/E



Code N.	Description	ISO	D	L	D1
213-41420	BT40H50WE+WN06 AD+B	40	6	50	25
213-41421	BT40H50WE+WN08 AD+B	40	8	50	28
213-41422	BT40H63WE+WN10 AD+B	40	10	63	35
213-41423	BT40H63WE+WN12 AD+B	40	12	63	42
213-41437	BT40H63WE+WN14 AD+B	40	14	63	44
213-41424	BT40H63WE+WN16 AD+B	40	16	63	48
213-41438	BT40H63WE+WN18 AD+B	40	18	63	50
213-41425	BT40H63WE+WN20 AD+B	40	20	63	50
213-41426	BT40H90WE+WN25 AD+B	40	25	90	65
213-41427	BT40H100WE+WN32 AD+B	40	32	100	72
213-41428	BT50H63WE+WN06 AD+B	50	6	63	25
213-41429	BT50H63WE+WN08 AD+B	50	8	63	28
213-41430	BT50H70WE+WN10 AD+B	50	10	70	35
213-41431	BT50H80WE+WN12 AD+B	50	12	80	42
213-41439	BT50H80WE+WN14 AD+B	50	14	80	44
213-41432	BT50H80WE+WN16 AD+B	50	16	80	48
213-41440	BT50H80WE+WN18 AD+B	50	18	80	52
213-41433	BT50H80WE+WN20 AD+B	50	20	80	52
213-41434	BT50H100WE+WN25 AD+B	50	25	100	65
213-41435	BT50H105WE+WN32 AD+B	50	32	105	72
213-41436	BT50H120WE+WN40 AD+B	50	40	120	90

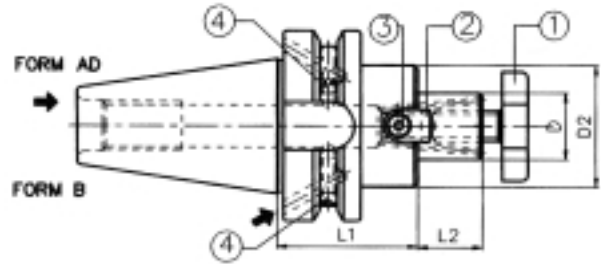
Ersatzteile / Parts / Pièces détachées / Componenti

Type	Screw	Quantity
ISO 40	811-102010	2
ISO 50	811-102017	2

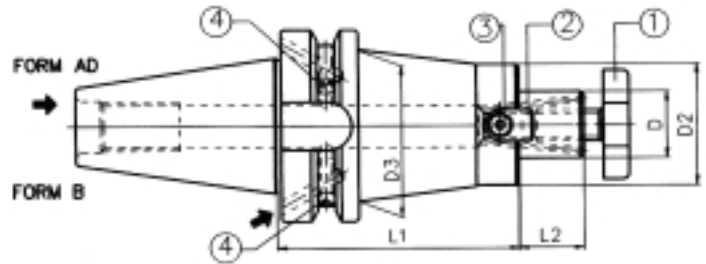
D	Locking screw	Quantity	Stop screw	Quantity
6	811-106001	2	811-303043	1
8	811-106002	2	811-303081	1
10	811-106004	2	811-303082	1
12,14	811-106005	2	811-303083	1
16,18	811-106006	2	811-303084	1
20	811-106007	2	811-303084	1
25	811-106008	4	811-303085	1
32	811-106009	4	811-303085	1
40	811-106009	4	811-303085	1

**AUFSTECKFRÄSDORNE FÜR FRÄSER MIT QUERNUT MIT KÜHLMITTELZUFUHR
FACE MILL HOLDERS-TENONS DRIVE WITH INTERNAL COOLANT SUPPLY
MANDRINS PORTE-FRAISE-ENTRAÎNEMENT PAR TENONS AVEC ARROSAGE INTERNE
MANDRINI PORTAFRESE A TRASCINAMENTO FISSO CON PASSAGGIO REFRIGERANTE**

ISO 3937




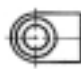

	Code N.	Description	ISO	D	L1	L2	D2
STANDARD	216-71401	BT40H45D16F AD+B	40	16	45	17	32
	216-71402	BT40H45D22F AD+B	40	22	45	19	40
	216-71403	BT40H45D27F AD+B	40	27	45	21	48
	216-71404	BT40H50D32F AD+B	40	32	50	24	58
	216-71405	BT40H55D40F AD+B	40	40	55	27	70
	216-71406	BT50H60D16F AD+B	50	16	60	17	32
	216-71407	BT50H60D22F AD+B	50	22	60	19	40
	216-71408	BT50H60D27F AD+B	50	27	60	21	48
	216-71409	BT50H60D32F AD+B	50	32	60	24	58
	216-71410	BT50H60D40F AD+B	50	40	60	27	70



	Code N.	Description	ISO	D	L1	L2	D2	D3
EXTENDED	216-71411	BT40H100D16F AD+B	40	16	100	17	32	42
	216-71412	BT40H100D22F AD+B	40	22	100	19	40	49
	216-71413	BT40H100D27F AD+B	40	27	100	21	48	-
	216-71414	BT40H100D32F AD+B	40	32	100	24	58	-
	216-71415	BT50H100D16F AD+B	50	16	100	17	32	42
	216-71416	BT50H100D22F AD+B	50	22	100	19	40	55
	216-71417	BT50H100D27F AD+B	50	27	100	21	48	60
	216-71418	BT50H100D32F AD+B	50	32	100	24	58	68
	216-71419	BT50H100D40F AD+B	50	40	100	27	70	-

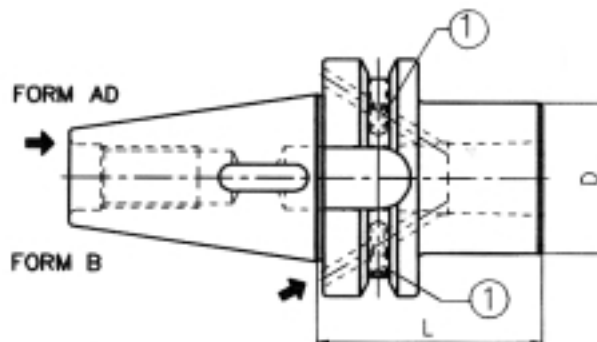
Ersatzteile / Parts / Pièces détachées / Componenti

Tape	Screw	Quantity
		
ISO 40	811-102010	2
ISO 50	811-102017	2

D/D2	Screw	Tenon	Screw
			
16/32	811-107003	814-20214	811-101003
22/40	811-107004	814-20215	811-101010
27/48	811-107005	814-20216	811-101017
32/58	811-107006	814-20217	811-101027
40/70	811-107007	814-20218	811-101028

ZWISCHENHÜLSEN FÜR MORSEKEGEL MIT AUSTREIBBLAPPEN
 MORSE TAPER ADAPTORS FOR DRILLS
 DOUILLES POUR CONE MORSE A TENON
 MANDRINI PORTAPUNTE ATTACCO CONO MORSE

DIN 228-2 FORM D



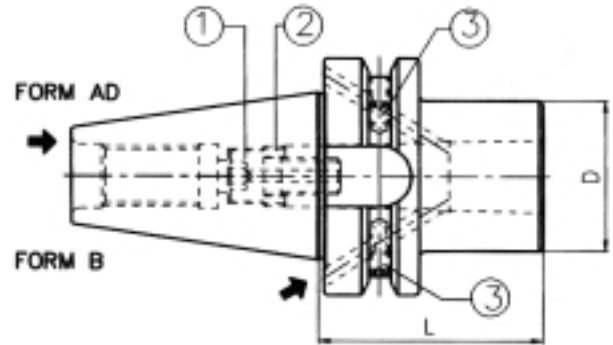
Code N.	Description	ISO	MORSE	D	L
212-41401	BT40H50CM2P AD+B	40	2	32	50
212-41402	BT40H70CM3P AD+B	40	3	40	70
212-41403	BT40H95CM4P AD+B	40	4	48	95
212-41404	BT50H60CM2P AD+B	50	2	32	60
212-41405	BT50H65CM3P AD+B	50	3	40	65
212-41406	BT50H95CM4P AD+B	50	4	48	95
212-41407	BT50H120CM5P AD+B	50	5	63	120

Ersatzteile / Parts / Pieces detachees / Componenti

Tape	Screw	Quantity
ISO 40	811-102010	2
ISO 50	811-102017	2

ZWISCHENHÜLSEN FÜR MORSEKEGEL MIT ANZUGSGEWINDE
 MORSE TAPER ADAPTER WITH TREAD
 DOULLES POUR CONE MORSE AVEC TARAUDAGE
 MANDRINI PORTAFRESE ATTACCO CONO MORSE


DIN 228-2 FORM C



Code N.	Description	ISO	MORSE	D	L
212-31405	BT40H50CM2F AD+B	40	2	32	50
212-31406	BT40H70CM3F AD+B	40	3	40	70
212-31407	BT40H95CM4F AD+B	40	4	48	95
212-31408	BT50H60CM2F AD+B	50	2	32	60
212-31409	BT50H65CM3F AD+B	50	3	40	65
212-31410	BT50H95CM4F AD+B	50	4	48	95
212-31411	BT50H120CM5F AD+B	50	5	63	120

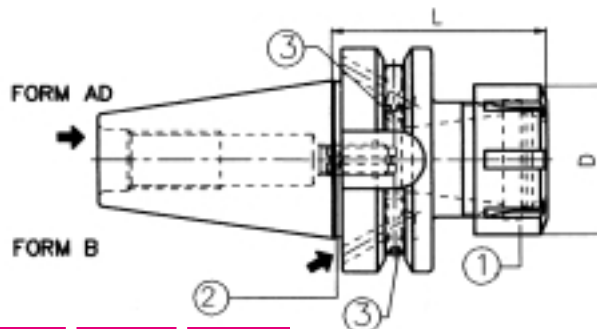
Ersatzteile / Parts / Pieces detachees / Componenti

Tape	Screw	Quantity
		
ISO 40	811-102010	2
ISO 50	811-102017	2

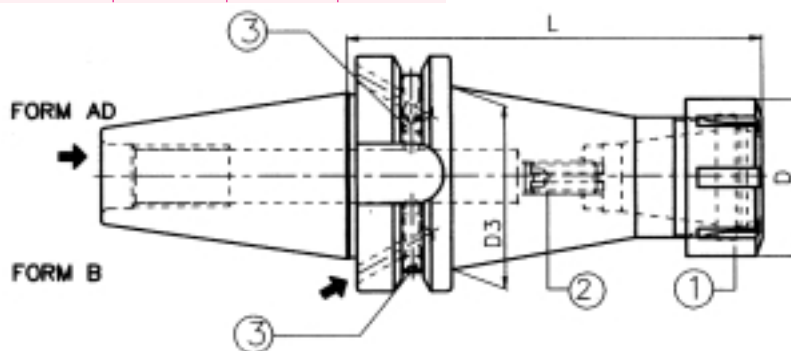
ISO/MORSE	Screw	Ring
		
40/2	811-401066	811-302031
40/3	811-401082	811-302032
40/4	811-401083	811-302036
50/2	811-401084	811-302032
50/3	811-401085	811-302032
50/4	811-401086	811-302036
50/5	811-401087	811-302034

SPANNZANGENFUTTER ER TYP
ER COLLET CHUCKS
MANDRINS A PINCES TYPE ER
MANDRINI PORTAPINZA TIPO ER

DIN 6499

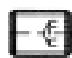




	Code N.	Description	ISO	ER	D	L
STANDARD	214-31422	BT40H70ER25 AD+B	40	25	42	70
	214-31423	BT40H70ER32 AD+B	40	32	50	70
	214-31424	BT40H70ER40 AD+B	40	40	63	70
	214-31429	BT50H80ER25 AD+B	50	25	42	80
	214-31430	BT50H80ER32 AD+B	50	32	50	80
	214-31431	BT50H80ER40 AD+B	50	40	63	80



	Code N.	Description	ISO	ER	D	L	D3
EXTENDED	214-31439	BT40H100ER25 AD+B	40	25	42	100	42
	214-31425	BT40H120ER25 AD+B	40	25	42	120	42
	214-31432	BT40H160ER25 AD+B	40	25	42	160	42
	214-31440	BT40H100ER32 AD+B	40	32	50	100	50
	214-31426	BT40H120ER32 AD+B	40	32	50	120	50
	214-31433	BT40H160ER32 AD+B	40	32	50	160	50
	214-31428	BT40H150ER40 AD+B	40	40	63	150	50
	214-31438	BT50H100ER25 AD+B	50	25	42	100	42
	214-31434	BT50H100ER32 AD+B	50	32	50	100	50
	214-31435	BT50H160ER32 AD+B	50	32	50	160	50
	214-31436	BT50H100ER40 AD+B	50	40	63	100	63
	214-31437	BT50H160ER40 AD+B	50	40	63	160	63

Ersatzteile / Parts / Pieces detachees / Componenti

Tape	Screw	Quantity
		
ISO 40	811-102010	2
ISO 50	811-102017	2

ER	Nut	Stop screw
		
25	812-203001	811-303033
32	812-203002	811-303033
40	812-203003	811-303029