



	<p>Pinze portautensili tipo R8 <i>R8 precision collets for toolholding</i> R8 Zugspannzangen <i>Pinces R8 pour serrage d'outils</i></p>	<p><b>R8 Collets</b></p> <p>Pag. - Seite <b>1</b></p>
	<p>Pinze a Cono Morse <i>Morse Taper collets</i> MK - Spannhülsen <i>Pinces Cône Morse</i></p>	<p><b>Morse Taper Metric</b></p> <p>Pag. - Seite <b>2</b></p>
	<p>Pinze a Cono Brown/Sharpe <i>Brown/Sharpe taper collets</i> Brown/Sharpe Kegelspannhülsen <i>Pinces a Cône Brown/Sharpe</i></p>	<p><b>7 / 9 - BS Inch</b></p> <p>Pag. - Seite <b>3</b></p>
	<p>Pinze a Cono Morse <i>Morse Taper collets</i> MK - Spannhülsen <i>Pinces Cône Morse</i></p>	<p><b>Morse Taper Inch</b></p> <p>Pag. - Seite <b>3</b></p>
	<p>Pinze di serraggio <i>Dead length collets</i> Druckspannzangen <i>Pinces de serrage poussées</i></p>	<p>Pag. - Seite <b>4 ÷ 12</b></p>
	<p>Mandrini Portapinze per Torni CNC <i>Power Chucks for NC Lathes</i> Kraftspannfutters DIN 55026 - 55027 <i>Mandrins à Pinces - Serrage mécanique</i></p>	<p>Pag. - Seite <b>13</b></p>
	<p>Levette chiudipinza <i>Chuck levers</i> SpannKnagge <i>Chiens de serrage</i></p>	<p>Pag. - Seite <b>14</b></p>
	<p>Pinze di serraggio filettate <i>Drawback collets</i> Zugspannzangen <i>Pinces de serrage tirées</i></p>	<p>Pag. - Seite <b>15 ÷ 17</b></p>

INDICE  
INDEX  
INHALT  
SOMMAIRE

7

R8 - CM/MT - DIN 6343 - 5C

Collets



Pinze di serraggio filettate  
*Drawback collets*  
Zugspannzangen  
*Pinces de serrage tirées*

5 C

Inch - Metric

Pag. - Seite

18 ÷ 20

# 7 R8 - MT - 5C - DIN 6343 collets

CAPORALI

Pinze portautensili tipo R8 - Serie di pinze  
*R8 precision collets for toolholding - Collet sets*  
 R8 Zugspannzangen - Spannzangensatz  
*Pinces R8 pour serrage d'outils - Jeux de pinces*

R 8 - 369 E



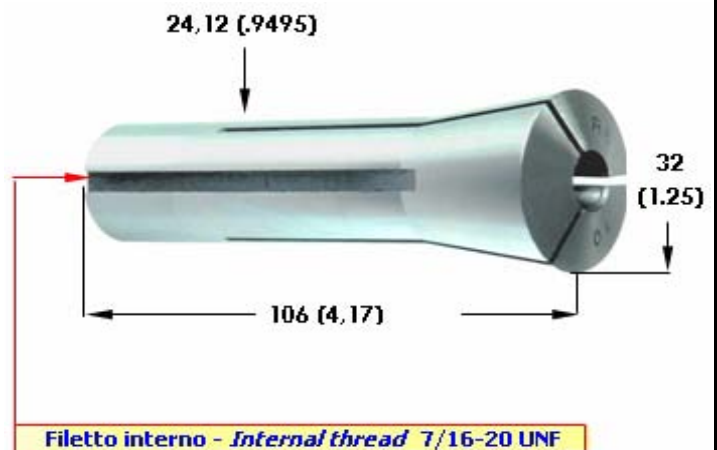
TY.R8



Ref.	Order Nr.	Price
<b>- ROUND METRIC -</b>		
190-008	R8-D2	
	R8-D3	
	R8-D4	
	R8-D5	
	R8-D6	
	R8-D7	
	R8-D8	
	R8-D9	
	R8-D10	
	R8-D11	
	R8-D12	
	R8-D13	
	R8-D14	
	R8-D15	
	R8-D16	
	R8-D17	
	R8-D18	
	R8-D19	
	R8-D20	
	R8-D22	

Ref.	Order Nr.	Price
190-020	TY.R8-8M	
<b>TY.R8-8M: 8 collets</b>		
D. 4 . 6 . 8 . 10 . 12 . 14 . 16 . 20		
<b>TY.R8-11P</b>		
<b>TY.R8-11P: 11 collets</b>		
D. 1/8 . 3/16 . 1/4 . 5/16 . 3/8 . 7/16 . 1/2		
D. 9/16 . 5/8 . 11/16 . 3/4		
<b>TY.R8-12P</b>		
<b>TY.R8-12P: 12 collets</b>		
D. 1/8 . 3/16 . 1/4 . 5/16 . 3/8 . 7/16		
D. 1/2 . 9/16 . 5/8 . 11/16 . 3/4 . 7/8		

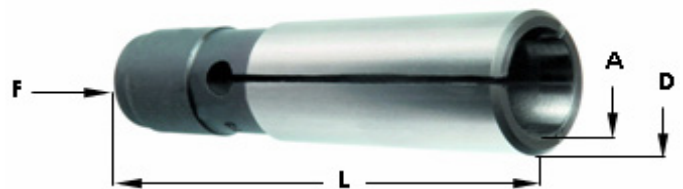
Ref.	Order Nr.	Price
<b>- ROUND INCH -</b>		
190-018	R8-D3/32	
	R8-D1/8	
	R8-D5/32	
	R8-D3/16	
	R8-D7/32	
	R8-D1/4	
	R8-D9/32	
	R8-D5/16	
	R8-D11/32	
	R8-D3/8	
	R8-D13/32	
	R8-D7/16	
	R8-D15/32	
	R8-D1/2	
	R8-D17/32	
	R8-D9/16	
	R8-D19/32	
	R8-D5/8	
	R8-D21/32	
	R8-D11/16	
	R8-D23/32	
	R8-D3/4	
	R8-D25/32	
	R8-D13/16	
	R8-D27/32	
	R8-D7/8	



# 7 R8 - MT - 5C - DIN 6343 collets

CAPORALI

Pinze a Cono Morse - Serie di pinze  
 Morse Taper collets - Collet sets  
 MK - Spannhülsen - Spannzangensatz  
 Pincas Cône Morse - Jeux de pinces  
 - METRIC DIMENSIONS -



## CP-CM (Toolholding collet)

Ref.	Order Nr.	D x L x F	Price
- ROUND METRIC -			
190-102	CP-CM2.A2,5	18 x 69 x M10	
	CP-CM2.A3	"	
503 E	CP-CM2.A3,5	"	
	CP-CM2.A4	"	
	CP-CM2.A4,5	"	
	CP-CM2.A5	"	
	CP-CM2.A5,5	"	
	CP-CM2.A6	"	
	CP-CM2.A6,5	"	
	CP-CM2.A7	"	
	CP-CM2.A7,5	"	
	CP-CM2.A8	"	
	CP-CM2.A8,5	"	
	CP-CM2.A9	"	
	CP-CM2.A9,5	"	
	CP-CM2.A10	"	
	CP-CM2.A10,5	"	
	CP-CM2.A11	"	
	CP-CM2.A11,5	"	
	CP-CM2.A12	"	
	CP-CM2.A12,5	"	
	CP-CM2.A13	"	

Ref.	Order Nr.	D x L x F	Price
- ROUND METRIC -			
190-104	CP-CM4.A4	31,6 x 109 x M16	
	CP-CM4.A5	"	
539 E	CP-CM4.A6	"	
	CP-CM4.A7	"	
	CP-CM4.A8	"	
	CP-CM4.A9	"	
	CP-CM4.A10	"	
	CP-CM4.A11	"	
	CP-CM4.A12	"	
	CP-CM4.A13	"	
	CP-CM4.A14	"	
	CP-CM4.A15	"	
	CP-CM4.A16	"	
	CP-CM4.A17	"	
	CP-CM4.A18	"	
	CP-CM4.A19	"	
	CP-CM4.A20	"	
	CP-CM4.A21	"	
	CP-CM4.A22	"	
	CP-CM4.A23	"	
	CP-CM4.A24	"	
	CP-CM4.A25	"	

Ref.	Order Nr.	D x L x F	Price
- ROUND METRIC -			
190-103	CP-CM3.A3	24,10 x 86 x M12	
	CP-CM3.A3,5	"	
536 E	CP-CM3.A4	"	
	CP-CM3.A4,5	"	
	CP-CM3.A5	"	
	CP-CM3.A5,5	"	
	CP-CM3.A6	"	
	CP-CM3.A6,5	"	
	CP-CM3.A7	"	
	CP-CM3.A7,5	"	
	CP-CM3.A8	"	
	CP-CM3.A8,5	"	
	CP-CM3.A9	"	
	CP-CM3.A9,5	"	
	CP-CM3.A10	"	
	CP-CM3.A10,5	"	
	CP-CM3.A11	"	
	CP-CM3.A11,5	"	
	CP-CM3.A12	"	
	CP-CM3.A12,5	"	
	CP-CM3.A13	"	
	CP-CM3.A13,5	"	
	CP-CM3.A14	"	
	CP-CM3.A14,5	"	
	CP-CM3.A15	"	
	CP-CM3.A15,5	"	
	CP-CM3.A16	"	
	CP-CM3.A16,5	"	
	CP-CM3.A17	"	
	CP-CM3.A17,5	"	
	CP-CM3.A18	"	

## TY.CP-CM



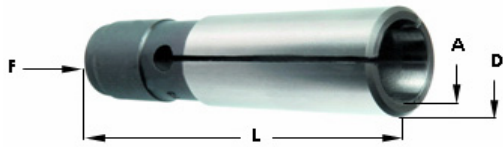
Ref.	Order Nr.	Price
190-110	TY.CP-CM2.6	
TY.CP-CM2.6 collets:		
A. 4 . 5 . 6 . 8 . 10 . 12		
TY.CP-CM3.7		
TY.CP-CM3.7 collets:		
A. 4 . 5 . 6 . 8 . 10 . 12 . 16		
TY.CP-CM4.9		
TY.CP-CM4.9 collets:		
A. 4 . 5 . 6 . 8 . 10 . 12 . 16 . 20 . 25		

# 7 R8 - MT - 5C - DIN 6343 collets

CAPORALI

Pinze a Cono Brown/Sharpe - Serie di pinze  
 Brown/Sharpe taper collets - Collet sets  
 Brown/Sharpe Kegelspannhülsen - Spannzangensatz  
 Pincas a Cône Brown/Sharpe - Jeux de pincas  
 - INCH DIMENSIONS -

## 7-BS / 9-BS (Toolholding collet)



Ref.	Order Nr.	D x L x F	Price
- ROUND INCH -			
190-157	7-BS.A1/8	.724 x 3.1/8 x 3/8-16	
	7-BS.A3/16	"	
	7-BS.A1/4	"	
	7-BS.A5/16	"	
	7-BS.A3/8	"	
	7-BS.A7/16	"	
	7-BS.A1/2	"	

Ref.	Order Nr.	D x L x F	Price
- ROUND INCH -			
190-159	9-BS.A1/8	1.066 x 4.1/8 x 1/2-13	
	9-BS.A3/16	"	
	9-BS.A1/4	"	
	9-BS.A5/16	"	
	9-BS.A3/8	"	
	9-BS.A7/16	"	
	9-BS.A1/2	"	
	9-BS.A9/16	"	
	9-BS.A5/8	"	
	9-BS.A11/16	"	
	9-BS.A3/4	"	

## TY.7BS - TY.9BS



Ref.	Order Nr.	Price
190-160	TY.7BS.7	

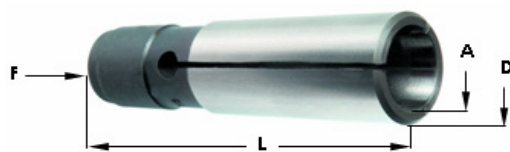
TY.7BS.7 collets:  
 D. 1/8 . 3/16 . 1/4 . 5/16 . 3/8 . 7/16 . 1/2

TY.9BS.11

TY.9BS.11 collets:  
 D. 1/8 . 3/16 . 1/4 . 5/16 . 3/8 . 7/16 . 1/2  
 D. 9/16 . 5/8 . 11/16 . 3/4

Pinze a Cono Morse - Serie di Pinze  
 Morse Taper collets - Collet sets  
 MK - Spannhülsen - Spannzangensatz  
 Pincas Cône Morse - Jeux de pincas  
 - INCH DIMENSIONS -

## MT 2 - MT 3 (Toolholding collet)



Ref.	Order Nr.	D x L x F	Price
- ROUND INCH -			
190-202	MT2.A1/8	.708 x 2.7/8 x 3/8-16	
	MT2.A3/16	"	
	MT2.A1/4	"	
	MT2.A5/16	"	
	MT2.A3/8	"	
	MT2.A7/16	"	
	MT2.A1/2	"	

Ref.	Order Nr.	D x L x F	Price
- ROUND INCH -			
190-203	MT3.A1/8	.964 x 4.1/64 x 3/8-16	
	MT3.A3/16	"	
	MT3.A1/4	"	
	MT3.A5/16	"	
	MT3.A3/8	"	
	MT3.A7/16	"	
	MT3.A1/2	"	
	MT3.A9/16	"	
	MT3.A5/8	"	
	MT3.A11/16	"	
	MT3.A3/4	"	

## TY.MT 2 - TY.MT 3



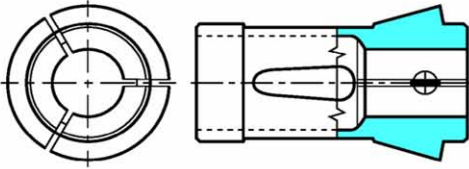
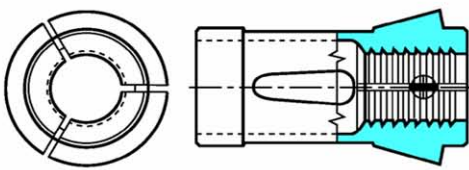
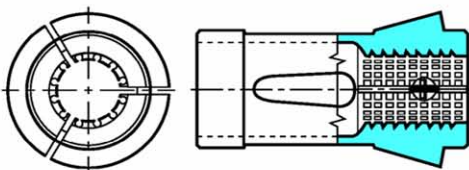
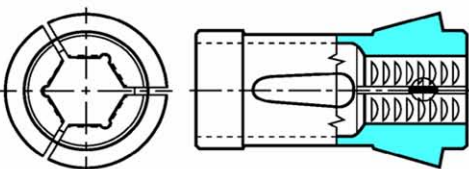
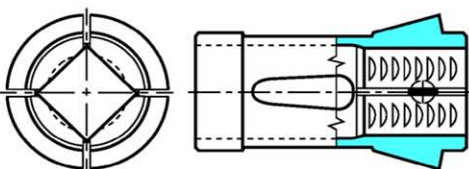
Ref.	Order Nr.	Price
190-210	TY.MT2.7	

TY.MT2.7 collets:  
 D. 1/8 . 3/16 . 1/4 . 5/16 . 3/8 . 7/16 . 1/2

TY.MT3.11

TY.MT3.11 collets:  
 D. 1/8 . 3/16 . 1/4 . 5/16 . 3/8 . 7/16 . 1/2  
 D. 9/16 . 5/8 . 11/16 . 3/4

FORMA DEGLI ALESAGGI DELLE PINZE DI SERRAGGIO  
BORE EXECUTION OF DEAD LENGTH COLLETS

TIPO TYPE	DIMENSIONI SIZES	DISEGNO DRAWING	SIMBOLO SIGN
LISCIO <i>SMOOTH</i> <i>ROUND</i>	1,5 ÷ 7		FORMA FORM L
RIGATO <i>GROOVED</i> <i>ROUND</i>	8 ÷ 60		FORMA FORM R
ZIGRINATO <i>SERRATED</i> <i>ROUND</i>	8 ÷ 60		FORMA FORM Z
ESAGONALE <i>EXAGONAL</i>	4 ÷ 52		FORMA FORM E
QUADRATO <i>SQUARE</i>	4 ÷ 40		FORMA FORM Q

**CARATTERISTICHE**

- Utilizzate per il serraggio della barra sui torni automatici convenzionali e a controllo numerico.
- Costruite in Italia con acciaio altamente legato, e secondo la normativa DIN 6343
- Temperate, rinvenute:
  - HRC58-60 per la testa
  - HRC42-45 per la parte elastica.
- Rettificate di precisione internamente ed esternamente.
- Profilo spogliato sul cono per incrementare la forza di bloccaggio ed evitare il danneggiamento della sede pinza.
- La tolleranza di rotazione delle pinze di serraggio corrisponde ai valori della tabella DIN 6343-seite 2.

**FEATURES**

- *These work holding collets are used on bar automatics and CNC lathes*
- *Manufactured in Italy with top quality steel, and in adherence to DIN 6343 specification.*
- *Quenched and tempered:*
  - *RC58-60 for the clamping head*
  - *RC42-45 for the spring body.*
- *Precision ground on the bore and back bearing*
- *Cam ground on taper for max clamping power.*
- *The runout accuracy of the collets is equivalent to the values of DIN 6343-seite 2 specification.*

# 7 R8 - MT - 5C - DIN 6343 collets

CAFORALI

Pinze di serraggio  
Dead length collets  
Druckspannzangen  
Pinces de serrage poussées



14 F - d 14/B 21/L 40,5 - 15°

**FOURNEL PETIT MODÈLE  
PINCE PORTE OUTIL**

CP-A42 - d 20/B 26/L 54 - 15°

**INDEX ON - OR12**

Ref.	Order Nr.	Price
<b>- ROUND - Form L</b>		
191-001	14F D.3L	
	14F D.4L	
	14F D.5L	
	14F D.6L	
	14F D.7L	
	14F D.8L	
	14F D.9L	
	14F D.10L	
	14F D.11L	
	14F D.12L	

Ref.	Order Nr.	Price
<b>- ROUND - Form L</b>		
191-031	CP-A42/136E D.2L	
	CP-A42/136E D.3L	
	CP-A42/136E D.4L	
	CP-A42/136E D.5L	
	CP-A42/136E D.6L	
	CP-A42/136E D.7L	

<b>- ROUND - Form R</b>		
191-032	CP-A42/136E D.8R	
	CP-A42/136E D.9R	
	CP-A42/136E D.10R	
	CP-A42/136E D.11R	
	CP-A42/136E D.12R	
	CP-A42/136E D.13R	
	CP-A42/136E D.14R	
	CP-A42/136E D.15R	
	CP-A42/136E D.16R	

<b>- EXAGON -</b>		
191-037	CP-A42/136E E.4	
	CP-A42/136E E.5	
	CP-A42/136E E.6	
	CP-A42/136E E.7	
	CP-A42/136E E.8	
	CP-A42/136E E.9	
	CP-A42/136E E.10	
	CP-A42/136E E.11	
	CP-A42/136E E.12	

<b>- SQUARE -</b>		
191-039	CP-A42/136E Q.4	
	CP-A42/136E Q.5	
	CP-A42/136E Q.6	
	CP-A42/136E Q.7	
	CP-A42/136E Q.8	
	CP-A42/136E Q.9	
	CP-A42/136E Q.10	



# 7 R8 - MT - 5C - DIN 6343 collets

CAFORALI

Pinze di serraggio  
Dead length collets  
Druckspannzangen  
Pincettes de serrage poussées



CP-A51 - d 22/B 30/L 55 - 15°  
DIN 6343 - TRAUB TD16

CP-A51 - d 22/B 30/L 55 - 15°  
DIN 6343 - TRAUB TD16

Ref.	Order Nr.	Price
<b>- ROUND - Form L</b>		
191-041	CP-A51/140E D.2L	
	CP-A51/140E D.2,5L	
	CP-A51/140E D.3L	
	CP-A51/140E D.3,5L	
	CP-A51/140E D.4L	
	CP-A51/140E D.4,5L	
	CP-A51/140E D.5L	
	CP-A51/140E D.5,5L	
	CP-A51/140E D.6L	
	CP-A51/140E D.6,5L	
	CP-A51/140E D.7L	
	CP-A51/140E D.7,5L	

Ref.	Order Nr.	Price
<b>- EXAGON -</b>		
191-047	CP-A51/140E E.3	
	CP-A51/140E E.4	
	CP-A51/140E E.5	
	CP-A51/140E E.6	
	CP-A51/140E E.7	
	CP-A51/140E E.8	
	CP-A51/140E E.9	
	CP-A51/140E E.10	
	CP-A51/140E E.11	
	CP-A51/140E E.12	
	CP-A51/140E E.13	
	CP-A51/140E E.14	
	CP-A51/140E E.15	

Ref.	Order Nr.	Price
<b>- ROUND - Form R</b>		
191-042	CP-A51/140E D.8R	
	CP-A51/140E D.8,5R	
	CP-A51/140E D.9R	
	CP-A51/140E D.9,5R	
	CP-A51/140E D.10R	
	CP-A51/140E D.10,5R	
	CP-A51/140E D.11R	
	CP-A51/140E D.11,5R	
	CP-A51/140E D.12R	
	CP-A51/140E D.12,5R	
	CP-A51/140E D.13R	
	CP-A51/140E D.13,5R	
	CP-A51/140E D.14R	
	CP-A51/140E D.14,5R	
	CP-A51/140E D.15R	
	CP-A51/140E D.16R	
	CP-A51/140E D.17R	

Ref.	Order Nr.	Price
<b>- SQUARE -</b>		
191-049	CP-A51/140E Q.6	
	CP-A51/140E Q.7	
	CP-A51/140E Q.8	
	CP-A51/140E Q.9	
	CP-A51/140E Q.10	
	CP-A51/140E Q.11	
	CP-A51/140E Q.12	

Ref.	Order Nr.	Price
<b>- ROUND - Form Z</b>		
191-043	CP-A51/140E D.10Z	
	CP-A51/140E D.10,5Z	
	CP-A51/140E D.11Z	
	CP-A51/140E D.11,5Z	
	CP-A51/140E D.12Z	
	CP-A51/140E D.12,5Z	
	CP-A51/140E D.13Z	
	CP-A51/140E D.13,5Z	
	CP-A51/140E D.14Z	
	CP-A51/140E D.14,5Z	
	CP-A51/140E D.15Z	

23 F - d 23/B 31/L 47 - 15°

FOURNEL GRAND MODELE  
PINCE PORTE OUTIL

Ref.	Order Nr.	Price
<b>- ROUND - Form L</b>		
191-051	23F D.3L	
	23F D.4L	
	23F D.5L	
	23F D.6L	
	23F D.7L	
	23F D.8L	
	23F D.9L	
	23F D.10L	
	23F D.11L	
	23F D.12L	
	23F D.13L	
	23F D.14L	
	23F D.15L	
	23F D.16L	
	23F D.17L	
	23F D.18L	
	23F D.19L	
	23F D.20L	

# 7 R8 - MT - 5C - DIN 6343 collets

CAFORALI

Pinze di serraggio  
Dead length collets  
Druckspannzangen  
Pincas de serrage poussées

CP-A70 - d 28/B 38/L 70 - 15°

DIN 6343 - INDEX C 19



CP-A81 - d31,75/B42,86/L71,5-15°

BROWN - SHARPE Nr. 21

Ref.	Order Nr.	Price
<b>- ROUND - Form L</b>		
191-061	CP-A70/148E D.2L	▲
	CP-A70/148E D.3L	▲
	CP-A70/148E D.4L	▲
	CP-A70/148E D.5L	▲
	CP-A70/148E D.6L	▲
	CP-A70/148E D.7L	▲

<b>- ROUND - Form R</b>		
191-062	CP-A70/148E D.8R	▲
	CP-A70/148E D.9R	▲
	CP-A70/148E D.10R	▲
	CP-A70/148E D.11R	▲
	CP-A70/148E D.12R	▲
	CP-A70/148E D.13R	▲
	CP-A70/148E D.14R	▲
	CP-A70/148E D.15R	▲
	CP-A70/148E D.16R	▲
	CP-A70/148E D.17R	▲
	CP-A70/148E D.18R	▲

<b>- ROUND - Form Z</b>		
191-063	CP-A70/148E D.19Z	▲
	CP-A70/148E D.20Z	▲
	CP-A70/148E D.21Z	▲
	CP-A70/148E D.22Z	▲

<b>- EXAGON -</b>		
191-067	CP-A70/148E E.4	▲
	CP-A70/148E E.5	▲
	CP-A70/148E E.6	▲
	CP-A70/148E E.7	▲
	CP-A70/148E E.8	▲
	CP-A70/148E E.9	▲
	CP-A70/148E E.10	▲
	CP-A70/148E E.11	▲
	CP-A70/148E E.12	▲
	CP-A70/148E E.13	▲
	CP-A70/148E E.14	▲
	CP-A70/148E E.15	▲
	CP-A70/148E E.16	▲
	CP-A70/148E E.17	▲
	CP-A70/148E E.18	▲
	CP-A70/148E E.19	▲
	CP-A70/148E E.20	▲

<b>- SQUARE -</b>		
191-069	CP-A70/148E Q.4	▲
	CP-A70/148E Q.5	▲
	CP-A70/148E Q.6	▲
	CP-A70/148E Q.7	▲
	CP-A70/148E Q.8	▲
	CP-A70/148E Q.9	▲
	CP-A70/148E Q.10	▲
	CP-A70/148E Q.11	▲
	CP-A70/148E Q.12	▲
	CP-A70/148E Q.13	▲
	CP-A70/148E Q.14	▲
	CP-A70/148E Q.15	▲
	CP-A70/148E Q.16	▲

Ref.	Order Nr.	Price
<b>- ROUND INCH - Form L</b>		
191-074	CP-A81/BS21 D.1/8L	
	CP-A81/BS21 D.5/32L	
	CP-A81/BS21 D.3/16L	
	CP-A81/BS21 D.7/32L	
	CP-A81/BS21 D.1/4L	
	CP-A81/BS21 D.9/32L	
	CP-A81/BS21 D.5/16L	

<b>- ROUND INCH - Form R</b>		
191-075	CP-A81/BS21 D.11/32R	
	CP-A81/BS21 D.3/8R	
	CP-A81/BS21 D.13/32R	
	CP-A81/BS21 D.7/16R	
	CP-A81/BS21 D.15/32R	
	CP-A81/BS21 D.1/2R	
	CP-A81/BS21 D.17/32R	
	CP-A81/BS21 D.9/16R	
	CP-A81/BS21 D.19/32R	
	CP-A81/BS21 D.5/8R	
	CP-A81/BS21 D.21/32R	
	CP-A81/BS21 D.11/16R	
	CP-A81/BS21 D.23/32R	
	CP-A81/BS21 D.3/4R	
	CP-A81/BS21 D.25/32R	
	CP-A81/BS21 D.13/16R	
	CP-A81/BS21 D.27/32R	
	CP-A81/BS21 D.7/8R	
	CP-A81/BS21 D.29/32R	
	CP-A81/BS21 D.15/16R	
	CP-A81/BS21 D.31/32R	
	CP-A81/BS21 D.1"R	

<b>- EXAGON -</b>		
191-078	CP-A81/BS21 E.1/4	
	CP-A81/BS21 E.5/16	
	CP-A81/BS21 E.3/8	
	CP-A81/BS21 E.7/16	
	CP-A81/BS21 E.1/2	
	CP-A81/BS21 E.9/16	
	CP-A81/BS21 E.5/8	
	CP-A81/BS21 E.11/16	
	CP-A81/BS21 E.3/4	

<b>- SQUARE -</b>		
191-079	CP-A81/BS21 Q.1/4	
	CP-A81/BS21 Q.5/16	
	CP-A81/BS21 Q.3/8	
	CP-A81/BS21 Q.7/16	
	CP-A81/BS21 Q.1/2	
	CP-A81/BS21 Q.9/16	
	CP-A81/BS21 Q.5/8	

▲ Materiale disponibile fino ad esaurimento scorte  
▲ As long as available  
▲ Solange vorrätig  
▲ Jusqu'à épuisement du stock

# 7 R8 - MT - 5C - DIN 6343 collets

CAPORALI

Pinze di serraggio  
Dead length collets  
Druckspannzangen  
Pincas de serrage poussées



CP-A84 - d 32/B 45/L 75 - 15°  
DIN 6343 - TRAUB TD 26

Ref.	Order Nr.	Price
<b>- ROUND - Form L</b>		
191-081	CP-A84/161E D.3L	
	CP-A84/161E D.3,5L	
	CP-A84/161E D.4L	
	CP-A84/161E D.4,5L	
	CP-A84/161E D.5L	
	CP-A84/161E D.5,5L	
	CP-A84/161E D.6L	
	CP-A84/161E D.6,5L	
	CP-A84/161E D.7L	
	CP-A84/161E D.7,5L	
	CP-A84/161E D.8L	
	CP-A84/161E D.8,5L	

<b>- ROUND - Form R</b>		
191-082	CP-A84/161E D.9R	
	CP-A84/161E D.9,5R	
	CP-A84/161E D.10R	
	CP-A84/161E D.10,5R	
	CP-A84/161E D.11R	
	CP-A84/161E D.11,5R	
	CP-A84/161E D.12R	
	CP-A84/161E D.12,5R	
	CP-A84/161E D.13R	
	CP-A84/161E D.13,5R	
	CP-A84/161E D.14R	
	CP-A84/161E D.14,5R	
	CP-A84/161E D.15R	
	CP-A84/161E D.15,5R	
	CP-A84/161E D.16R	
	CP-A84/161E D.16,5R	
	CP-A84/161E D.17R	
	CP-A84/161E D.17,5R	
	CP-A84/161E D.18R	
	CP-A84/161E D.18,5R	
	CP-A84/161E D.19R	
	CP-A84/161E D.19,5R	
	CP-A84/161E D.20R	
	CP-A84/161E D.20,5R	
	CP-A84/161E D.21R	
	CP-A84/161E D.21,5R	
	CP-A84/161E D.22R	
	CP-A84/161E D.22,5R	
	CP-A84/161E D.23R	
	CP-A84/161E D.23,5R	
	CP-A84/161E D.24R	
	CP-A84/161E D.24,5R	
	CP-A84/161E D.25R	

Ref.	Order Nr.	Price
<b>- ROUND - Form Z</b>		
191-083	CP-A84/161E D.10Z	
	CP-A84/161E D.11Z	
	CP-A84/161E D.12Z	
	CP-A84/161E D.13Z	
	CP-A84/161E D.14Z	
	CP-A84/161E D.15Z	
	CP-A84/161E D.16Z	
	CP-A84/161E D.17Z	
	CP-A84/161E D.18Z	
	CP-A84/161E D.19Z	
	CP-A84/161E D.20Z	
	CP-A84/161E D.21Z	
	CP-A84/161E D.22Z	
	CP-A84/161E D.23Z	
	CP-A84/161E D.24Z	
	CP-A84/161E D.25Z	
	CP-A84/161E D.26Z	

<b>- EXAGON -</b>		
191-087	CP-A84/161E E.4	
	CP-A84/161E E.5	
	CP-A84/161E E.6	
	CP-A84/161E E.7	
	CP-A84/161E E.8	
	CP-A84/161E E.9	
	CP-A84/161E E.10	
	CP-A84/161E E.11	
	CP-A84/161E E.12	
	CP-A84/161E E.13	
	CP-A84/161E E.14	
	CP-A84/161E E.15	
	CP-A84/161E E.16	
	CP-A84/161E E.17	
	CP-A84/161E E.18	
	CP-A84/161E E.19	
	CP-A84/161E E.20	
	CP-A84/161E E.21	
	CP-A84/161E E.22	

<b>- SQUARE -</b>		
191-089	CP-A84/161E Q.4	
	CP-A84/161E Q.5	
	CP-A84/161E Q.6	
	CP-A84/161E Q.7	
	CP-A84/161E Q.8	
	CP-A84/161E Q.9	
	CP-A84/161E Q.10	
	CP-A84/161E Q.11	
	CP-A84/161E Q.12	
	CP-A84/161E Q.13	
	CP-A84/161E Q.14	
	CP-A84/161E Q.15	
	CP-A84/161E Q.16	
	CP-A84/161E Q.17	
	CP-A84/161E Q.18	

# 7 R8 - MT - 5C - DIN 6343 collets

CAFORALI

Pinze di serraggio  
Dead length collets  
Druckspannzangen  
Pincés de serrage poussées

CP-A93 - d 35/B 48/L 80 - 15°  
DIN 6343 - INDEX C 29

Ref.	Order Nr.	Price
- ROUND - Form L		
191-101	CP-A93/163E D.4L	▲
	CP-A93/163E D.5L	▲
	CP-A93/163E D.6L	▲
	CP-A93/163E D.7L	▲
- ROUND - Form Z		
191-103	CP-A93/163E D.10Z	▲
	CP-A93/163E D.11Z	▲
	CP-A93/163E D.12Z	▲
	CP-A93/163E D.13Z	▲
	CP-A93/163E D.14Z	▲
	CP-A93/163E D.15Z	▲
	CP-A93/163E D.16Z	▲
	CP-A93/163E D.17Z	▲
	CP-A93/163E D.18Z	▲
	CP-A93/163E D.19Z	▲
	CP-A93/163E D.20Z	▲
	CP-A93/163E D.21Z	▲
	CP-A93/163E D.22Z	▲
	CP-A93/163E D.23Z	▲
	CP-A93/163E D.24Z	▲
	CP-A93/163E D.25Z	▲
	CP-A93/163E D.26Z	▲
	CP-A93/163E D.27Z	▲
	CP-A93/163E D.28Z	▲

- EXAGON -		
191-107	CP-A93/163E E.4	▲
	CP-A93/163E E.5	▲
	CP-A93/163E E.6	▲
	CP-A93/163E E.7	▲
	CP-A93/163E E.8	▲
	CP-A93/163E E.9	▲
	CP-A93/163E E.10	▲
	CP-A93/163E E.11	▲
	CP-A93/163E E.12	▲
	CP-A93/163E E.13	▲
	CP-A93/163E E.14	▲
	CP-A93/163E E.15	▲
	CP-A93/163E E.16	▲
	CP-A93/163E E.17	▲
	CP-A93/163E E.18	▲
	CP-A93/163E E.19	▲
	CP-A93/163E E.20	▲
	CP-A93/163E E.21	▲
	CP-A93/163E E.22	▲
	CP-A93/163E E.23	▲
	CP-A93/163E E.24	▲
	CP-A93/163E E.25	▲

- SQUARE -		
191-109	CP-A93/163E Q.4	▲
	CP-A93/163E Q.5	▲
	CP-A93/163E Q.6	▲
	CP-A93/163E Q.7	▲
	CP-A93/163E Q.8	▲
	CP-A93/163E Q.9	▲
	CP-A93/163E Q.10	▲
	CP-A93/163E Q.11	▲
	CP-A93/163E Q.12	▲
	CP-A93/163E Q.13	▲
	CP-A93/163E Q.14	▲
	CP-A93/163E Q.15	▲
	CP-A93/163E Q.16	▲
	CP-A93/163E Q.17	▲
	CP-A93/163E Q.18	▲
	CP-A93/163E Q.19	▲
	CP-A93/163E Q.20	▲
	CP-A93/163E Q.21	▲

▲ Materiale disponibile fino ad esaurimento scorte  
▲ As long as available  
▲ Solange vorrätig  
▲ Jusqu'à épuisement du stock



CP-A102 - d38/B50,3/L86-15°  
SAIC - GIORGI GM 32

Ref.	Order Nr.	Price
- ROUND - Form L		
191-111	CP-A102 D.6L	▲
	CP-A102 D.7L	▲
- ROUND - Form R - Z		
191-113	CP-A102 D.8R	▲
	CP-A102 D.9R	▲
	CP-A102 D.10Z	▲
	CP-A102 D.11Z	▲
	CP-A102 D.12Z	▲
	CP-A102 D.13Z	▲
	CP-A102 D.14Z	▲
	CP-A102 D.15Z	▲
	CP-A102 D.16Z	▲
	CP-A102 D.17Z	▲
	CP-A102 D.18Z	▲
	CP-A102 D.19Z	▲
	CP-A102 D.20Z	▲
	CP-A102 D.21Z	▲
	CP-A102 D.22Z	▲
	CP-A102 D.23Z	▲
	CP-A102 D.24Z	▲
	CP-A102 D.25Z	▲
	CP-A102 D.26Z	▲
	CP-A102 D.27Z	▲
	CP-A102 D.28Z	▲
	CP-A102 D.29Z	▲
	CP-A102 D.30Z	▲
	CP-A102 D.31Z	▲
	CP-A102 D.32Z	▲

- EXAGON -		
191-117	CP-A102 E.6	▲
	CP-A102 E.7	▲
	CP-A102 E.8	▲
	CP-A102 E.9	▲
	CP-A102 E.10	▲
	CP-A102 E.11	▲
	CP-A102 E.12	▲
	CP-A102 E.13	▲
	CP-A102 E.14	▲
	CP-A102 E.15	▲
	CP-A102 E.16	▲
	CP-A102 E.17	▲
	CP-A102 E.18	▲
	CP-A102 E.19	▲
	CP-A102 E.20	▲
	CP-A102 E.21	▲
	CP-A102 E.22	▲
	CP-A102 E.23	▲
	CP-A102 E.24	▲
	CP-A102 E.25	▲
	CP-A102 E.26	▲
	CP-A102 E.27	▲

- SQUARE -		
191-119	CP-A102 Q.6	▲
	CP-A102 Q.8	▲
	CP-A102 Q.9	▲
	CP-A102 Q.10	▲
	CP-A102 Q.11	▲
	CP-A102 Q.12	▲
	CP-A102 Q.13	▲
	CP-A102 Q.14	▲
	CP-A102 Q.15	▲
	CP-A102 Q.16	▲
	CP-A102 Q.17	▲
	CP-A102 Q.18	▲
	CP-A102 Q.19	▲
	CP-A102 Q.20	▲
	CP-A102 Q.21	▲
	CP-A102 Q.22	▲
	CP-A102 Q.23	▲

Pinze di serraggio  
 Dead length collets  
 Druckspannzangen  
 Pincas de serrage poussées



CP-A162 - d40/B56,6/L100-15°

MUPEM TA 32R - 240 F

Ref.	Order Nr.	Price
<b>- ROUND - Form L</b>		
191-121	CP-A162 D.4L	
	CP-A162 D.5L	
	CP-A162 D.6L	
	CP-A162 D.7L	
	CP-A162 D.8L	
<b>- ROUND - Form R</b>		
191-122	CP-A162 D.9R	
	CP-A162 D.10R	
<b>- ROUND - Form Z</b>		
191-123	CP-A162 D.11Z	
	CP-A162 D.12Z	
	CP-A162 D.13Z	
	CP-A162 D.14Z	
	CP-A162 D.15Z	
	CP-A162 D.16Z	
	CP-A162 D.17Z	
	CP-A162 D.18Z	
	CP-A162 D.19Z	
	CP-A162 D.20Z	
	CP-A162 D.21Z	
	CP-A162 D.22Z	
	CP-A162 D.23Z	
	CP-A162 D.24Z	
	CP-A162 D.25Z	
	CP-A162 D.26Z	
	CP-A162 D.27Z	
	CP-A162 D.28Z	
	CP-A162 D.29Z	
	CP-A162 D.30Z	
	CP-A162 D.31Z	
	CP-A162 D.32Z	

Ref.	Order Nr.	Price
<b>- EXAGON -</b>		
191-127	CP-A162 E.10	
	CP-A162 E.11	
	CP-A162 E.12	
	CP-A162 E.13	
	CP-A162 E.14	
	CP-A162 E.15	
	CP-A162 E.16	
	CP-A162 E.17	
	CP-A162 E.18	
	CP-A162 E.19	
	CP-A162 E.20	
	CP-A162 E.21	
	CP-A162 E.22	
	CP-A162 E.23	
	CP-A162 E.24	
	CP-A162 E.25	
	CP-A162 E.26	
	CP-A162 E.27	
<b>- SQUARE -</b>		
191-129	CP-A162 Q.10	
	CP-A162 Q.12	
	CP-A162 Q.15	
	CP-A162 Q.16	
	CP-A162 Q.20	
	CP-A162 Q.22	



# 7 R8 - MT - 5C - DIN 6343 collets

CAFORALI

Pinze di serraggio  
Dead length collets  
Druckspannzangen  
Pincas de serrage poussées

CP-A117 - d 48/B 60/L 94-15°  
DIN 6343 - INDEX B42



Ref. Order Nr. Price

- ROUND - Form L		
191-131	CP-A117/173E D.3L	
	CP-A117/173E D.4L	
	CP-A117/173E D.5L	
	CP-A117/173E D.6L	
	CP-A117/173E D.7L	

- ROUND - Form R

191-132	CP-A117/173E D.8R	
	CP-A117/173E D.9R	
	CP-A117/173E D.10R	
	CP-A117/173E D.11R	
	CP-A117/173E D.12R	
	CP-A117/173E D.13R	
	CP-A117/173E D.14R	
	CP-A117/173E D.15R	
	CP-A117/173E D.16R	
	CP-A117/173E D.17R	
	CP-A117/173E D.18R	
	CP-A117/173E D.19R	
	CP-A117/173E D.20R	
	CP-A117/173E D.21R	
	CP-A117/173E D.22R	
	CP-A117/173E D.23R	
	CP-A117/173E D.24R	
	CP-A117/173E D.25R	
	CP-A117/173E D.26R	
	CP-A117/173E D.27R	
	CP-A117/173E D.28R	
	CP-A117/173E D.29R	
	CP-A117/173E D.30R	
	CP-A117/173E D.31R	
	CP-A117/173E D.32R	
	CP-A117/173E D.33R	
	CP-A117/173E D.34R	
	CP-A117/173E D.35R	
	CP-A117/173E D.36R	
	CP-A117/173E D.37R	
	CP-A117/173E D.38R	
	CP-A117/173E D.39R	
	CP-A117/173E D.40R	
	CP-A117/173E D.41R	
	CP-A117/173E D.42R	

- ROUND - Form Z

191-133	CP-A117/173E D.11Z	
	CP-A117/173E D.12Z	
	CP-A117/173E D.13Z	
	CP-A117/173E D.14Z	
	CP-A117/173E D.15Z	
	CP-A117/173E D.16Z	
	CP-A117/173E D.17Z	
	CP-A117/173E D.18Z	
	CP-A117/173E D.19Z	
	CP-A117/173E D.20Z	
	CP-A117/173E D.21Z	
	CP-A117/173E D.22Z	
	CP-A117/173E D.23Z	
	CP-A117/173E D.24Z	
	CP-A117/173E D.25Z	
	CP-A117/173E D.26Z	
	CP-A117/173E D.27Z	
	CP-A117/173E D.28Z	
	CP-A117/173E D.29Z	
	CP-A117/173E D.30Z	
	CP-A117/173E D.31Z	
	CP-A117/173E D.32Z	
	CP-A117/173E D.33Z	
	CP-A117/173E D.34Z	
	CP-A117/173E D.35Z	

Ref. Order Nr. Price

191-133	CP-A117/173E D.36Z	
	CP-A117/173E D.37Z	
	CP-A117/173E D.38Z	
	CP-A117/173E D.39Z	
	CP-A117/173E D.40Z	
	CP-A117/173E D.41Z	
	CP-A117/173E D.42Z	

- EXAGON -

191-137	CP-A117/173E E.4	
	CP-A117/173E E.5	
	CP-A117/173E E.6	
	CP-A117/173E E.7	
	CP-A117/173E E.8	
	CP-A117/173E E.9	
	CP-A117/173E E.10	
	CP-A117/173E E.11	
	CP-A117/173E E.12	
	CP-A117/173E E.13	
	CP-A117/173E E.14	
	CP-A117/173E E.15	
	CP-A117/173E E.16	
	CP-A117/173E E.17	
	CP-A117/173E E.18	
	CP-A117/173E E.19	
	CP-A117/173E E.20	
	CP-A117/173E E.21	
	CP-A117/173E E.22	
	CP-A117/173E E.23	
	CP-A117/173E E.24	
	CP-A117/173E E.25	
	CP-A117/173E E.26	
	CP-A117/173E E.27	
	CP-A117/173E E.28	
	CP-A117/173E E.29	
	CP-A117/173E E.30	
	CP-A117/173E E.31	
	CP-A117/173E E.32	
	CP-A117/173E E.33	
	CP-A117/173E E.34	
	CP-A117/173E E.35	
	CP-A117/173E E.36	

- SQUARE -

191-139	CP-A117/173E Q.6	
	CP-A117/173E Q.7	
	CP-A117/173E Q.8	
	CP-A117/173E Q.9	
	CP-A117/173E Q.10	
	CP-A117/173E Q.11	
	CP-A117/173E Q.12	
	CP-A117/173E Q.13	
	CP-A117/173E Q.14	
	CP-A117/173E Q.15	
	CP-A117/173E Q.16	
	CP-A117/173E Q.17	
	CP-A117/173E Q.18	
	CP-A117/173E Q.20	
	CP-A117/173E Q.22	
	CP-A117/173E Q.24	
	CP-A117/173E Q.25	
	CP-A117/173E Q.26	
	CP-A117/173E Q.28	
	CP-A117/173E Q.30	

# 7 R8 - MT - 5C - DIN 6343 collets

CAPORALI

Pinze di serraggio  
Dead length collets  
Druckspannzangen  
Pincas de serrage poussées

CP-A133 - d 66/B 84/L110-15°  
DIN 6343 - INDEX B 60



Ref.	Order Nr.	Price
<b>- ROUND - Form L</b>		
191-141	CP-A133/185E D.5L	
	CP-A133/185E D.6L	
	CP-A133/185E D.7L	
	CP-A133/185E D.8L	
	CP-A133/185E D.9L	

<b>- ROUND - Form R</b>		
191-142	CP-A133/185E D.10R	
	CP-A133/185E D.11R	
	CP-A133/185E D.12R	
	CP-A133/185E D.13R	
	CP-A133/185E D.14R	
	CP-A133/185E D.15R	
	CP-A133/185E D.16R	
	CP-A133/185E D.17R	
	CP-A133/185E D.18R	
	CP-A133/185E D.19R	
	CP-A133/185E D.20R	
	CP-A133/185E D.21R	
	CP-A133/185E D.22R	
	CP-A133/185E D.23R	
	CP-A133/185E D.24R	
	CP-A133/185E D.25R	
	CP-A133/185E D.26R	
	CP-A133/185E D.27R	
	CP-A133/185E D.28R	
	CP-A133/185E D.29R	
	CP-A133/185E D.30R	
	CP-A133/185E D.31R	
	CP-A133/185E D.32R	
	CP-A133/185E D.33R	
	CP-A133/185E D.34R	
	CP-A133/185E D.35R	
	CP-A133/185E D.36R	
	CP-A133/185E D.37R	
	CP-A133/185E D.38R	
	CP-A133/185E D.39R	
	CP-A133/185E D.40R	
	CP-A133/185E D.41R	
	CP-A133/185E D.42R	
	CP-A133/185E D.43R	
	CP-A133/185E D.44R	
	CP-A133/185E D.45R	
	CP-A133/185E D.46R	
	CP-A133/185E D.47R	
	CP-A133/185E D.48R	
	CP-A133/185E D.49R	
	CP-A133/185E D.50R	
	CP-A133/185E D.51R	
	CP-A133/185E D.52R	
	CP-A133/185E D.53R	
	CP-A133/185E D.54R	
	CP-A133/185E D.55R	
	CP-A133/185E D.56R	
	CP-A133/185E D.57R	
	CP-A133/185E D.58R	
	CP-A133/185E D.59R	
	CP-A133/185E D.60R	

<b>- ROUND - Form Z</b>		
191-143	CP-A133/185E D.14Z	
	CP-A133/185E D.15Z	
	CP-A133/185E D.16Z	
	CP-A133/185E D.17Z	
	CP-A133/185E D.18Z	
	CP-A133/185E D.19Z	
	CP-A133/185E D.20Z	
	CP-A133/185E D.21Z	
	CP-A133/185E D.22Z	
	CP-A133/185E D.23Z	
	CP-A133/185E D.24Z	
	CP-A133/185E D.25Z	
	CP-A133/185E D.26Z	
	CP-A133/185E D.27Z	
	CP-A133/185E D.28Z	
	CP-A133/185E D.29Z	

Ref.	Order Nr.	Price
191-143	CP-A133/185E D.30Z	
	CP-A133/185E D.31Z	
	CP-A133/185E D.32Z	
	CP-A133/185E D.33Z	
	CP-A133/185E D.34Z	
	CP-A133/185E D.35Z	
	CP-A133/185E D.36Z	
	CP-A133/185E D.37Z	
	CP-A133/185E D.38Z	
	CP-A133/185E D.39Z	
	CP-A133/185E D.40Z	
	CP-A133/185E D.41Z	
	CP-A133/185E D.42Z	
	CP-A133/185E D.43Z	
	CP-A133/185E D.44Z	
	CP-A133/185E D.45Z	
	CP-A133/185E D.46Z	
	CP-A133/185E D.47Z	
	CP-A133/185E D.48Z	
	CP-A133/185E D.49Z	
	CP-A133/185E D.50Z	
	CP-A133/185E D.51Z	
	CP-A133/185E D.52Z	
	CP-A133/185E D.53Z	
	CP-A133/185E D.54Z	
	CP-A133/185E D.55Z	
	CP-A133/185E D.56Z	
	CP-A133/185E D.57Z	
	CP-A133/185E D.58Z	
	CP-A133/185E D.59Z	
	CP-A133/185E D.60Z	

<b>- EXAGON -</b>		
191-147	CP-A133/185E E.10	
	CP-A133/185E E.11	
	CP-A133/185E E.12	
	CP-A133/185E E.13	
	CP-A133/185E E.14	
	CP-A133/185E E.15	
	CP-A133/185E E.16	
	CP-A133/185E E.17	
	CP-A133/185E E.18	
	CP-A133/185E E.19	
	CP-A133/185E E.20	
	CP-A133/185E E.21	
	CP-A133/185E E.22	
	CP-A133/185E E.23	
	CP-A133/185E E.24	
	CP-A133/185E E.25	
	CP-A133/185E E.26	
	CP-A133/185E E.27	
	CP-A133/185E E.28	
	CP-A133/185E E.29	
	CP-A133/185E E.30	
	CP-A133/185E E.31	
	CP-A133/185E E.32	
	CP-A133/185E E.33	
	CP-A133/185E E.34	
	CP-A133/185E E.35	
	CP-A133/185E E.36	
	CP-A133/185E E.37	
	CP-A133/185E E.38	
	CP-A133/185E E.39	
	CP-A133/185E E.40	
	CP-A133/185E E.41	
	CP-A133/185E E.45	

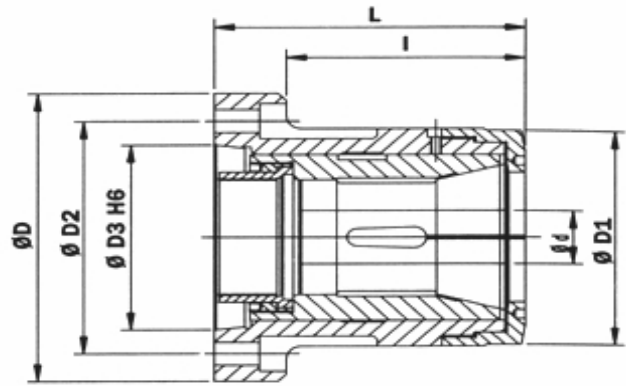
<b>- SQUARE -</b>		
191-149	CP-A133/185E Q.20	
	CP-A133/185E Q.22	
	CP-A133/185E Q.25	
	CP-A133/185E Q.28	
	CP-A133/185E Q.30	
	CP-A133/185E Q.32	
	CP-A133/185E Q.36	
	CP-A133/185E Q.40	

# 7 R8 - MT - 5C - DIN 6343 collets

CAPORALI

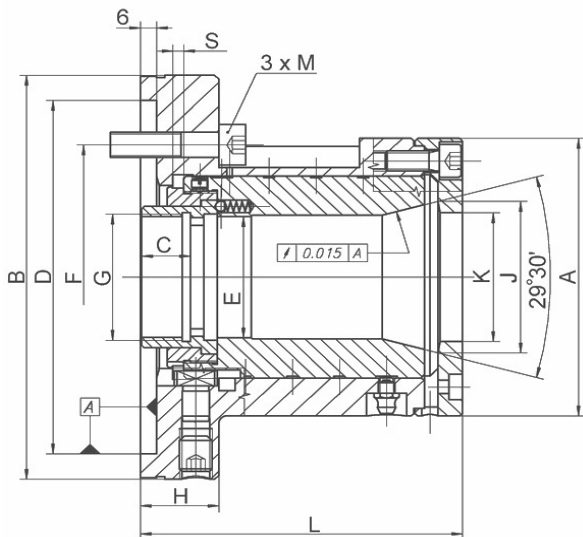


Mandrini Portapinze per Torni CNC  
 Power Chucks for NC Lathes  
 Kraftspannfutters DIN 55026 - 55027  
 Mandrins à Pincas - Serrage mécanique



- ① • Attacco flangia conica DIN 55026 - 55027 / ISO 702
- Short taper connection ASA B5.9A1 / 7° 7' 30"
- Kurzekegel DIN 55026 - 55027 / ISO 702
- Montage direct DIN 55026 - 55027

Ref.	Order Nr.	max rpm	D	D2	D3 ①	D1	d min-max Collet	l	L	Price
191-200	<b>ASA 5/42E</b>	6.000	135	104,8	82,575	100	4 ÷ 42 <b>CP-A117-173E</b>	104	132	
	<b>ASA 6/42E</b>	6.000	165	133,4	106,39	118	4 ÷ 42 <b>CP-A117-173E</b>	104	134	
	<b>ASA 6/60E</b>	5.000	165	133,4	106,39	122	10 ÷ 60 <b>CP-A133-185E</b>	117	151	
	<b>ASA 8/60E</b>	5.000	208	171,4	139,735	138	10 ÷ 60 <b>CP-A133-185E</b>	114	154	



- Attacco a flangia cilindrica DIN 6353
- Plain back mounting
- Flanschausführung mit Zylindrischem Einpass DIN 6353
- Montage pour faux plateau cylindrique



Ref.	Order Nr.	max rpm	B	D h6	F	G	A	L	H	3 x M	Pinza Collet	Price
191-205	<b>2905-140-42</b>	8.000	160	140	104,8	M 52 x 1,5	110	119	29	M 10	<b>CP-A117/173E</b> d 4 ÷ 42	
	<b>2905-140-60</b>	6.000	190	170	133,4	M 70 x 2	138	136	31	M 12	<b>CP-A133/185E</b> d 10 ÷ 60	

Levette chiudipinza  
Chuck levers  
SpannKnagge  
Chiens de serrage



Fig. 1



Fig. 3



Fig. 5



Fig. 2



Fig. 4



Fig. 6

Ref.	Order Nr.	Lunghezza Length	Spessore Thickness	Foro Bore	Set Pcs	Fig.	Tornio Lathe	Price ⓘ
192-000	LE1-130	70	9	—	3	1	Caser TA26 • TA30	
	LE2-220	50	7	6	2	2	Feinler FA10 • FA15	
	LE38-240	74	10	6	3	3	Giorgi GM20 • 25 • 30 • 32	
	LE39-310	66	11,8	—	2	4	Index ON • OR • DG12	
	LE6-320	74	11,8	—	2	4	Index 12	
	LE7-330	74	13,5	—	2	4	Index 18 • 25 • C19	
	LE48-350	74	15,5	—	2	4	Index C29	
	LE41-351	100	15,5	—	2	4	Index 24 • B30	
	LE8-360	100	19,8	—	2	4	Index 36-52 • B42-60	
	LE44-420	71	10	6	3	5	ITS26 • TCA 301	
	LE15-600	71	10	—	3	5	Saic B26	
	LE52-610	72,5	12,4	—	3	5	Saic B30	
	LE67-620	73	4,5	6	3	6	Saic A26 • 30 • 32	
	LE19-730B	50	7	6	2	2	Strohm 75 • 105 • 125 AS	
	LE731	50	7	8	2	2	Strohm 125 NAR con rullini	
	LE60-731B	50	7	8	2	2	Strohm 75 • 105 • 125 AS	
	LE62-745	92	13,8	8	2	7	Strohm 205-255 nuovo	
	LE22-810	62	9	—	2	8	Traub A15	
	LE23-830	70	10	—	3	8	Traub A15 • 20 • 25	
	LE26-831	70	12	—	3	8	Traub A25 • TC15	
	LE24-870	72	14	—	3	8	Traub A26 • 36 • 42 • 45 • 60	
	LE65-920	75	12	—	3	9	Traub TD16 • 26 • 36	
	LE27-950	84	18	—	3	10	Traub TB30 • 42 • 60	

ⓘ Prezzo unitario - Unit price



Fig. 7



Fig. 9

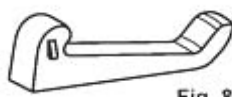


Fig. 8

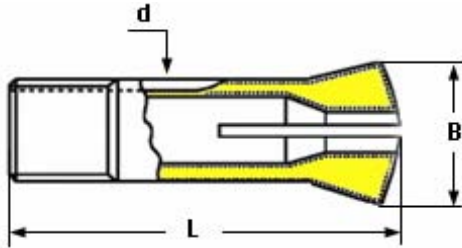


Fig. 10



- Le levette di chiusura pinze sono costruite in Italia con acciai da cementazione testificati: hanno una durezza durezza di HRC 57/59 Kg/mm<sup>2</sup>
- Manufactured in Italy with top quality alloyed steel. The hardness is RC 57/59

Pinze di serraggio filettate  
 Drawback collets  
 Zugspannzangen  
 Pincas de serrage tirées



CP-E20 - d 15/B 21,5/L55-20°  
 TRAUB A 3 (Filetto - Thread M13 x 1)

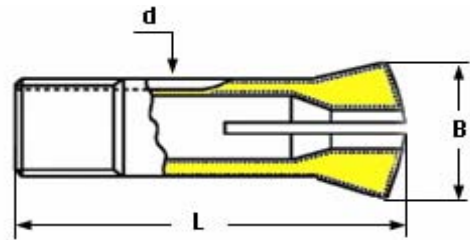
Ref.	Order Nr.	Price
- ROUND METRIC -		
195-001	CP-E20/324E D.1,5	
	CP-E20/324E D.1,75	
	CP-E20/324E D.2	
	CP-E20/324E D.2,25	
	CP-E20/324E D.2,5	
	CP-E20/324E D.2,75	
	CP-E20/324E D.3	
	CP-E20/324E D.3,25	
	CP-E20/324E D.3,5	
	CP-E20/324E D.3,75	
	CP-E20/324E D.4	
	CP-E20/324E D.4,25	
	CP-E20/324E D.4,5	
	CP-E20/324E D.4,75	
	CP-E20/324E D.5	
	CP-E20/324E D.5,25	
	CP-E20/324E D.5,5	
	CP-E20/324E D.5,75	
	CP-E20/324E D.6	
	CP-E20/324E D.6,25	
	CP-E20/324E D.6,5	
	CP-E20/324E D.6,75	
	CP-E20/324E D.7	
	CP-E20/324E D.7,25	
	CP-E20/324E D.7,5	
	CP-E20/324E D.7,75	
	CP-E20/324E D.8	
	CP-E20/324E D.8,25	
	CP-E20/324E D.8,5	
	CP-E20/324E D.8,75	
	CP-E20/324E D.9	
	CP-E20/324E D.9,25	
	CP-E20/324E D.9,5	
	CP-E20/324E D.9,75	
	CP-E20/324E D.10	
	CP-E20/324E D.10,25	
	CP-E20/324E D.10,5	
	CP-E20/324E D.10,75	
	CP-E20/324E D.11	
	CP-E20/324E D.11,25	
	CP-E20/324E D.11,5	
	CP-E20/324E D.11,75	
	CP-E20/324E D.12	
	CP-E20/324E D.12,25	
	CP-E20/324E D.12,5	
	CP-E20/324E D.12,75	
	CP-E20/324E D.13	



3C - d 16,48 / B 21,5 / L71-12°  
 COLLET 3 C (Filetto - Thread 0.645 x 26)

Ref.	Order Nr.	Price
- ROUND METRIC -		
195-011	3C D.3	
	3C D.4	
	3C D.5	
	3C D.6	
	3C D.7	
	3C D.8	
	3C D.9	
	3C D.10	
	3C D.11	
	3C D.12	
- ROUND INCH -		
195-014	3C D.1/8	
	3C D.9/64	
	3C D.5/32	
	3C D.11/64	
	3C D.3/16	
	3C D.13/64	
	3C D.7/32	
	3C D.15/64	
	3C D.1/4	
	3C D.17/64	
	3C D.9/32	
	3C D.19/64	
	3C D.5/16	
	3C D.21/64	
	3C D.11/32	
	3C D.23/64	
	3C D.3/8	
	3C D.25/64	
	3C D.13/32	
	3C D.27/64	
	3C D.7/16	
	3C D.29/64	
	3C D.15/32	
	3C D.31/64	
	3C D.1/2	
- EXAGON METRIC -		
195-017	3C E.4	
	3C E.5	
	3C E.6	
	3C E.7	
	3C E.8	
	3C E.9	
	3C E.10	
- EXAGON INCH -		
195-018	3C E.1/8	
	3C E.3/16	
	3C E.1/4	
	3C E.5/16	
	3C E.3/8	
	3C E.7/16	
- SQUARE METRIC -		
195-019	3C Q.4	
	3C Q.5	
	3C Q.6	
	3C Q.7	
	3C Q.8	
- SQUARE INCH -		
195-020	3C Q.1/8	
	3C Q.3/16	
	3C Q.1/4	
	3C Q.5/16	
	3C Q.3/8	

Pinze di serraggio filettate  
 Drawback collets  
 Zugspannzangen  
 Pincas de serrage tirées



3AT - d 17,42/B23,98/L63-16°  
 COLLET 3 AT (Filetto - Thread 0.645 x 26)

Ref.	Order Nr.	Price
- ROUND INCH -		
195-024	3AT D.1/8	
	3AT D.9/64	
	3AT D.5/32	
	3AT D.3/16	
	3AT D.13/64	
	3AT D.7/32	
	3AT D.15/64	
	3AT D.1/4	
	3AT D.17/64	
	3AT D.9/32	
	3AT D.19/64	
	3AT D.5/16	
	3AT D.21/64	
	3AT D.11/32	
	3AT D.23/64	
	3AT D.3/8	
	3AT D.25/64	
	3AT D.13/32	
	3AT D.27/64	
	3AT D.7/16	
	3AT D.29/64	
	3AT D.15/32	
	3AT D.31/64	
	3AT D.1/2	

CP-E34 - d20/B28/L122-17°30'  
 DECKEL FP 1 - 2/S1 (Filetto - Thread S 19,7 x 2)

Ref.	Order Nr.	Price
- ROUND METRIC -		
195-041	CP-E34/355E D.3	
	CP-E34/355E D.4	
	CP-E34/355E D.5	
	CP-E34/355E D.6	
	CP-E34/355E D.7	
	CP-E34/355E D.8	
	CP-E34/355E D.9	
	CP-E34/355E D.10	
	CP-E34/355E D.11	
	CP-E34/355E D.12	
	CP-E34/355E D.13	
	CP-E34/355E D.14	
	CP-E34/355E D.15	
	CP-E34/355E D.16	
	CP-E34/355E D.17	
	CP-E34/355E D.18	
	CP-E34/355E D.19	
	CP-E34/355E D.20	

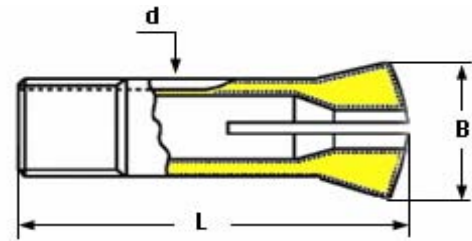
CP-E28 - d20/B26,3/L 73-15°  
 ORIGINAL SCHAUBLIN W20  
 (Filetto - Thread S 19,7 x 1,666)

Ref.	Order Nr.	Price
- ROUND METRIC -		
195-031	CP-E28/349E D.1,5	
	CP-E28/349E D.2	
	CP-E28/349E D.3	
	CP-E28/349E D.4	
	CP-E28/349E D.5	
	CP-E28/349E D.6	
	CP-E28/349E D.7	
	CP-E28/349E D.8	
	CP-E28/349E D.9	
	CP-E28/349E D.10	
	CP-E28/349E D.11	
	CP-E28/349E D.12	
	CP-E28/349E D.13	
	CP-E28/349E D.14	
	CP-E28/349E D.15	
	CP-E28/349E D.16	
	CP-E28/349E D.17	
	CP-E28/349E D.18	
	CP-E28/349E D.19	
	CP-E28/349E D.20	

- ROUND INCH -		
195-044	CP-E34/355E D.1/8	
	CP-E34/355E D.3/16	
	CP-E34/355E D.1/4	
	CP-E34/355E D.5/16	
	CP-E34/355E D.3/8	
	CP-E34/355E D.7/16	
	CP-E34/355E D.1/2	
	CP-E34/355E D.9/16	
	CP-E34/355E D.5/8	



Pinze di serraggio filettate  
 Drawback collets  
 Zugspannzangen  
 Pincés de serrage tirées



2A - d21,84/B27,8/L85,6-15°  
 COLLET 2A (Filetto - Thread 0.850 x 20)

Ref.	Order Nr.	Price
- ROUND INCH -		
195-054	2A D.1/8	
	2A D.9/64	
	2A D.5/32	
	2A D.11/64	
	2A D.3/16	
	2A D.13/64	
	2A D.7/32	
	2A D.15/64	
	2A D.1/4	
	2A D.17/64	
	2A D.9/32	
	2A D.19/64	
	2A D.5/16	
	2A D.21/64	
	2A D.11/32	
	2A D.23/64	
	2A D.3/8	
	2A D.25/64	

Ref.	Order Nr.	Price
195-054	2A D.13/32	
	2A D.7/16	
	2A D.29/64	
	2A D.15/32	
	2A D.31/64	
	2A D.1/2	
	2A D.33/64	
	2A D.17/32	
	2A D.35/64	
	2A D.9/16	
	2A D.37/64	
	2A D.19/32	
	2A D.39/64	
	2A D.5/8	
	2A D.41/64	
	2A D.21/32	
	2A D.43/64	
	2A D.11/16	

4C - d24,10/B29,3/L 78,5-10°  
 COLLET 4C (Filetto - Thread 0.945 x 20)

Ref.	Order Nr.	Price
- ROUND INCH -		
195-064	4C D.1/8	
	4C D.9/64	
	4C D.5/32	
	4C D.11/64	
	4C D.3/16	
	4C D.13/64	
	4C D.7/32	
	4C D.15/64	
	4C D.1/4	
	4C D.17/64	
	4C D.9/32	
	4C D.19/64	
	4C D.5/16	
	4C D.21/64	
	4C D.11/32	
	4C D.23/64	
	4C D.3/8	
	4C D.25/64	
	4C D.13/32	
	4C D.27/64	
	4C D.7/16	
	4C D.29/64	
	4C D.15/32	
	4C D.31/64	
	4C D.1/2	
	4C D.33/64	
	4C D.17/32	
	4C D.35/64	

Ref.	Order Nr.	Price
195-064	4C D.9/16	
	4C D.37/64	
	4C D.19/32	
	4C D.39/64	
	4C D.5/8	
	4C D.41/64	
	4C D.21/32	
	4C D.43/64	
	4C D.11/16	
	4C D.45/64	
	4C D.23/32	
	4C D.47/64	
	4C D.3/4	

- EXAGON INCH -		
195-067	4C E.1/8	
	4C E.3/16	
	4C E.1/4	
	4C E.5/16	
	4C E.3/8	
	4C E.7/16	
	4C E.1/2	
	4C E.9/16	
	4C E.5/8	

- SQUARE INCH -		
195-069	4C Q.1/8	
	4C Q.3/16	
	4C Q.1/4	
	4C Q.5/16	
	4C Q.3/8	
	4C Q.7/16	
	4C Q.1/2	

CP-E48 - d25/B33,7/L97,6-15°  
 ORIGINAL SCHAUBLIN W25 (Filetto - Thread S 24,7 x 15)

Ref.	Order Nr.	Price
- ROUND METRIC -		
195-071	CP-E48/364E D.3	
	CP-E48/364E D.4	
	CP-E48/364E D.5	
	CP-E48/364E D.6	
	CP-E48/364E D.7	
	CP-E48/364E D.8	
	CP-E48/364E D.9	
	CP-E48/364E D.10	
	CP-E48/364E D.11	

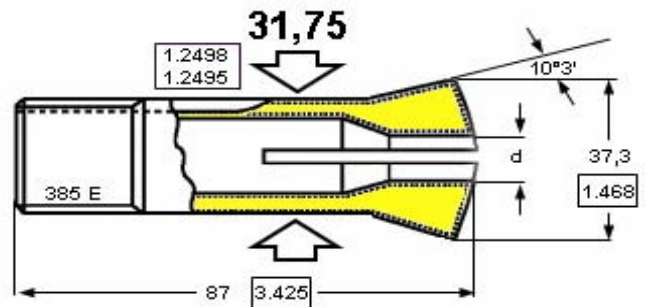
Ref.	Order Nr.	Price
195-071	CP-E48/364E D.12	
	CP-E48/364E D.13	
	CP-E48/364E D.14	
	CP-E48/364E D.15	
	CP-E48/364E D.16	
	CP-E48/364E D.17	
	CP-E48/364E D.18	
	CP-E48/364E D.19	
	CP-E48/364E D.20	
	CP-E48/364E D.21	

PINZE DI PRECISIONE 5C  
5C PRECISION COLLETS

385 E



5C - INCH  
Filetto esterno - External Thread = 1.234 x 20 RH  
Filetto interno - Internal Thread = 1.047 x 24 RH



Ref.	Order Nr.	Price
<b>- ROUND INCH -</b>		
195-105	5C.D1/16	
	5C.D5/64	
	5C.D3/32	
	5C.D7/64	
	5C.D1/8	
	5C.D9/64	
	5C.D5/32	
	5C.D11/64	
	5C.D3/16	
	5C.D13/64	
	5C.D7/32	
	5C.D15/64	
	5C.D1/4	
	5C.D17/64	
	5C.D9/32	
	5C.D19/64	
	5C.D5/16	
	5C.D21/64	
	5C.D11/32	
	5C.D23/64	
	5C.D3/8	
	5C.D25/64	
	5C.D13/32	
	5C.D27/64	
	5C.D7/16	
	5C.D29/64	
	5C.D15/32	
	5C.D31/64	
	5C.D1/2	
	5C.D33/64	
	5C.D17/32	
	5C.D35/64	
	5C.D9/16	
	5C.D37/64	
	5C.D19/32	
	5C.D39/64	
	5C.D5/8	
	5C.D41/64	
	5C.D21/32	
	5C.D43/64	
	5C.D11/16	
	5C.D45/64	
	5C.D23/32	
	5C.D47/64	
	5C.D3/4	
	5C.D49/64	
	5C.D25/32	
	5C.D51/64	
	5C.D13/16	
	5C.D53/64	
	5C.D27/32	
	5C.D55/64	
	5C.D7/8	
	5C.D57/64	
	5C.D29/32	
	5C.D59/64	
	5C.D15/16	
	5C.D61/64	
	5C.D31/32	
	5C.D63/64	
	5C.D1"	
	5C.D1 1/64	
	5C.D1 1/32	
	5C.D1 3/64	
	5C.D1 1/16	

Ref.	Order Nr.	Price
<b>- EXAGONAL INCH -</b>		
195-106	5C.E1/8	
	5C.E3/16	
	5C.E1/4	
	5C.E5/16	
	5C.E3/8	
	5C.E7/16	
	5C.E1/2	
	5C.E9/16	
	5C.E5/8	
	5C.E11/16	
	5C.E3/4	

Ref.	Order Nr.	Price
<b>- SQUARE INCH -</b>		
195-107	5C.Q1/8	
	5C.Q3/16	
	5C.Q1/4	
	5C.Q5/16	
	5C.Q3/8	
	5C.Q7/16	
	5C.Q1/2	
	5C.Q9/16	
	5C.Q5/8	
	5C.Q11/16	

Contenitori con Serie di pinze 5C  
Wooden Racks with 5C inch set



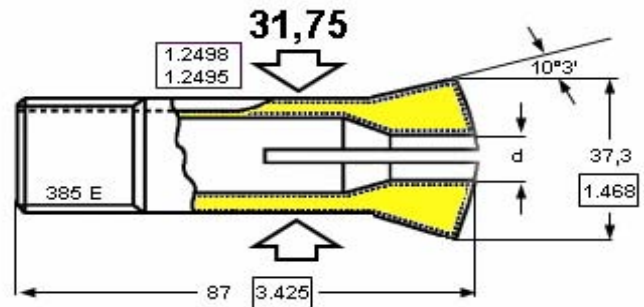
Ref.	Order Nr.	Price
195-108	TYI.5C-16	
<b>TYI.5C-16 collets:</b>		
D. 1/8 . 3/16 . 1/4 . 5/16 . 3/8 . 7/16 . 1/2		
D. 9/16 . 5/8 . 11/16 . 3/4 . 13/16 . 7/8		
D. 15/16. 1" . 1 1/16		

PINZE DI PRECISIONE 5C  
5C PRECISION COLLETS

385 E



5C - INCH  
Filetto esterno - External Thread = 1.234 x 20 RH  
Filetto interno - Internal Thread = 1.047 x 24 RH



Ref.	Order Nr.	Price
- ROUND METRIC -		
195-115	5C.D1	
	5C.D1,5	
	5C.D2	
	5C.D2,5	
	5C.D3	
	5C.D3,5	
	5C.D4	
	5C.D4,5	
	5C.D5	
	5C.D5,5	
	5C.D6	
	5C.D6,5	
	5C.D7	
	5C.D7,5	
	5C.D8	
	5C.D8,5	
	5C.D9	
	5C.D9,5	
	5C.D10	
	5C.D10,5	
	5C.D11	
	5C.D11,5	
	5C.D12	
	5C.D12,5	
	5C.D13	
	5C.D13,5	
	5C.D14	
	5C.D14,5	
	5C.D15	
	5C.D15,5	
	5C.D16	
	5C.D16,5	
	5C.D17	
	5C.D17,5	
	5C.D18	
	5C.D18,5	
	5C.D19	
	5C.D19,5	
	5C.D20	
	5C.D20,5	
	5C.D21	
	5C.D21,5	
	5C.D22	
	5C.D22,5	
	5C.D23	
	5C.D23,5	
	5C.D24	
	5C.D24,5	
	5C.D25	
	5C.D25,5	
	5C.D26	
	5C.D26,5	
	5C.D27	

Ref.	Order Nr.	Price
- EXAGONAL METRIC -		
195-116	5C.E4	
	5C.E5	
	5C.E6	
	5C.E7	
	5C.E8	
	5C.E9	
	5C.E10	
	5C.E11	
	5C.E12	
	5C.E13	
	5C.E14	
	5C.E15	
	5C.E16	
	5C.E17	
	5C.E18	
	5C.E19	
	5C.E20	

- SQUARE METRIC -		
195-117	5C.Q4	
	5C.Q5	
	5C.Q6	
	5C.Q7	
	5C.Q8	
	5C.Q9	
	5C.Q10	
	5C.Q11	
	5C.Q12	
	5C.Q13	
	5C.Q14	
	5C.Q15	
	5C.Q16	
	5C.Q17	
	5C.Q18	

Contenitori con Serie di pinze 5C  
Wooden Racks with 5C inch set



Ref.	Order Nr.	Price
195-118	TYM.5C-14	

TYM5C-14 collets:  
D. 3 . 4 . 5 . 6 . 8 . 10 . 12 . 14  
D. 16 . 18 . 20 . 22 . 24 . 26

PINZE DI EMERGENZA 5C  
5C EMERGENCY COLLETS WITH PINS

Ref.	Order Nr.	Price
195-160	5C-EMY	



- Le pinze di emergenza 5C sono costruite in acciaio e, a richiesta, in ottone. Hanno la testa non temperata per permetterne la lavorabilità.
- 5C emergency collets are manufactured in case hardened steel, (in brass, only on request). The head is soft for machining to specific requirements.

PINZE 5C MAGGIORATE - LAVORABILI  
5C STEP COLLETS - MACHINABLE

Ref.	Order Nr.	Head Dia.	Price
195-162	5C.STP2	2"	
	5C.STP3	3"	
	5C.STP4	4"	
	5C.STP5	5"	
	5C.STP6	6"	



- Le pinze 5C maggiorate sono costruite in acciaio facilmente lavorabile sulla testa. Non hanno il filetto interno
- 5C step collets are manufactured in steel. The head is easily machinable. They don't have internal thread

**ATTENZIONE:**

- Le pinze 5C maggiorate, se rotanti, devono essere usate con l'appropriato cappellotto portapinze

**WARNING:**

- A step chuck closer is required when using step collets on rotating spindles.